


Contract Item Number	Item Description	Alternative "Or Equal" Submission	Unit Cost	Unit of Measure	Estimated Quantity	Total Cost
3.1.1	Vitek - NDA4 Compliant 8 - Channel Network Video Recorder or NVR, or Equal	PN3A-8X8FNH	\$220.00	Ea	50	\$11,000.00
3.1.2	Vitek - NDA4 Compliant 16 - Channel Network Video Recorder or NVR, or Equal	PN3A-16X16FNH	\$343.75	Ea	50	\$17,187.50
3.1.3	Vitek - NDA4 Compliant 32 - Channel Network Video Recorder or NVR, or Equal	PN3A-32X16FNH	\$468.75	Ea	50	\$23,437.50
3.1.4	Vitek - NDA4 Compliant Hybrid Digital Video Recorder or DVR/NVR, or Equal	P02B-16NH	\$337.50	Ea	50	\$16,875.00
3.1.5	Vitek - NDA4 Compliant 4MP Bullet IP Camera, or Equal	PAR-P4BIRA2812NH-AI	\$143.75	Ea	500	\$71,875.00
3.1.6	Vitek - NDA4 Compliant 5MP Dome IP Camera, or Equal	PAR-PSDRIRA2812NH-AI	\$162.50	Ea	500	\$81,250.00
3.1.7	Vitek - NDA4 Compliant 6MP 360° IP Panoramic Dome Camera, or Equal	PAR-P6PANNH2	\$186.25	Ea	500	\$93,125.00
3.1.8	Vitek - NDA4 Compliant 8MP 180° IP Panoramic Bullet Camera, or Equal	PAR-P8PAN180NH-WL	\$250.00	Ea	500	\$125,000.00
3.1.9	Vitek - NDA4 Compliant 4MP PTZ IP Camera, or Equal	PAR-P4PTZXR2812NH-AIWL	\$227.50	Ea	500	\$113,750.00
3.1.10	Vitek - NDA4 Compliant 8MP PTZ IP Camera, or Equal	PAR-P8PTZXR32NH-AI	\$875.00	Ea	500	\$437,500.00
3.1.11	Vitek - NDA4 Compliant 2MP HD Analog Dome Camera, or Equal	PAR-C5DRIRA2812	\$65.00	Ea	500	\$32,500.00
3.1.12	Vitek - NDA4 Compliant 8MP Analog Dome Camera, or Equal	PAR-C8ORIRA2812	\$90.00	Ea	500	\$45,000.00
3.1.13	Vitek - NDA4 Compliant 2MP HD Analog Bullet Camera, or Equal	PAR-C5BIRA2812	\$62.50	Ea	500	\$31,250.00
3.1.14	Vitek - NDA4 Compliant 8MP Analog Bullet Camera, or Equal	PAR-C8BIRA2812	\$85.00	Ea	500	\$42,500.00
3.1.15	Vitek - NDA4 Compliant Video Management System, or Equal	P51A-ENTERPRISE	\$4,000.00	Ea	100	\$400,000.00
3.1.16	Extreme Networks Products 16 Port Network Switch, or Equal		\$3,265.00	Ea	50	\$163,250.00
3.1.17	Extreme Networks Products 24 Port Network Switch, or Equal		\$4,201.00	Ea	50	\$210,050.00
3.1.18	Extreme Networks Power Cord, or Equal		\$35.00	Ea	100	\$3,500.00
3.1.19	APC Back-UPS 850VA, 120V, USB charging ports, NEMA outlets, or Equal		\$143.75	Ea	50	\$7,187.50
3.1.20	Ditek Uninterruptible Power Supply, or Equal		\$805.00	Ea	50	\$40,250.00
3.1.21	Western Digital Purple Surveillance Hard Drive, or Equal	IHDD-3TB	\$106.25	Ea	50	\$5,312.50
3.1.22	Sandisk 240GB SSD Plus, or Equal		\$38.00	Ea	250	\$9,500.00
3.1.23	Seagate Skyhawk 2TB Surveillance Hard Drive, or Equal	IHDD-2TB	\$81.25	Ea	50	\$4,062.50
3.1.24	Seagate Skyhawk 4TB Surveillance Hard Drive, or Equal	IHDD-4TB	\$118.75	Ea	50	\$5,937.50
3.1.25	Seagate Skyhawk 6TB Surveillance Hard Drive, or Equal	IHDD-6TB	\$181.25	Ea	50	\$9,062.50
3.1.26	Seagate Skyhawk 8TB Surveillance Hard Drive, or Equal	IHDD-8TB	\$243.75	Ea	50	\$12,187.50
3.1.27	Seagate Skyhawk 10TB Surveillance Hard Drive, or Equal	IHDD-10TBPRO	\$306.25	Ea	50	\$15,312.50
3.1.28	Seagate Skyhawk 12TB Surveillance Hard Drive, or Equal	IHDD-12TB	\$368.75	Ea	50	\$18,437.50
3.1.29	Mounting Brackets for Vitek NDA4 Compliant 4MP Bullet IP Camera, or Equal	IPM-1B6/VM-POLE1/VM-CORNER2	\$25.00	Ea	500	\$12,500.00
3.1.30	Mounting Brackets for Vitek NDA4 Compliant 5MP Dome IP Camera, or Equal	8/IPM-WALL/OUNTZ/VM-PM2/IPM-CMVAR1	\$25.00	Ea	500	\$12,500.00
3.1.31	Mounting Bracket for Vitek NDA4 Compliant 6MP 360° Transcendent Dome Camera, or Equal	IPM-PANPEN/IPM-PANWALL/IPM-PANB	\$25.00	Ea	500	\$12,500.00
3.1.32	Mounting Bracket for Vitek NDA4 Compliant 8MP 180° Transcendent Bullet Camera, or Equal	IPM-CORNERZ/VM-POLE1	\$25.00	Ea	500	\$12,500.00
3.1.33	Mounting Bracket for Vitek NDA4 Compliant 8MP PTZ Camera or Equal.	IPM-PTZWALL1/IPM-PTZPEN10	\$25.00	Ea	500	\$12,500.00
Overall Total Cost						\$2,108,800.00

Vendor must complete the Price Page in full as failure to complete the Pricing Page in its entirety will result in Vendor's bid being disqualified. A no bid will result in Vendor's bid being disqualified.

Bidder/Vendor Information:

Name: Josh Phillips
Address: 405 12th St. Dunbar WV, 25064
Phone No.: 304-768-3600
Fax No.: 304-738-3698
Email Address: josh.phillips@stateelectric.com
Authorized Signature 

NOTES:

Additional Pricing Page for ARFQ 0608 DCR2400000088

Below item left off Pricing Page:

Extreme Networks Products 48 Port Network Switch or Equal

\$ 6,634.00 Ea

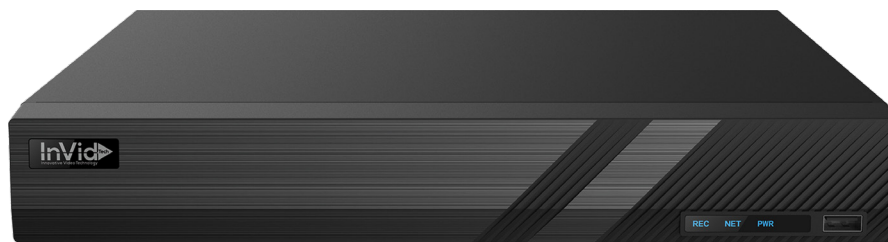
50 \$ 331,700.00

Pricing Page Total

\$ 2,108,800.00

Total Bid

\$ 2,440,500.00



PN3A-8X8FNH

8 Ch NVR with 8 Plug & Play Ports, True Facial Recognition, 80 Mbps, 1 HD Bays, 4K

Features

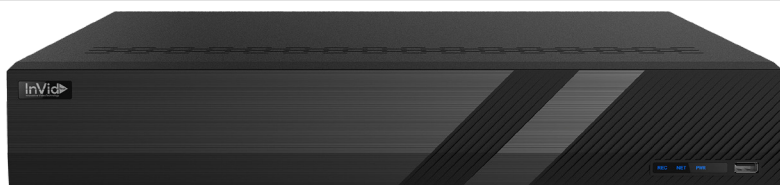
- 8 Plug & Play Ports for easy camera setup PoE (Power Over Ethernet) available on all ports
- Up to 12 Megapixel Resolution Recording
- 80 Mbps Bit Rate Input
- Supports up to 8 channel simultaneous playback
- True Facial Recognition Capable with Compatible Camera
- Works with ONVIF or other supported IP cameras
- Multiple video search options including Analytic and Thumbnail Search for quick retrieval of footage
- H.265S/H.265+/H.265/H.264 Video Compression
- Local HDMI main monitor output with 4K Support
- Local VGA main monitor output up to 1080p
- True P2P Connectivity with QR Code Connect
- Free iOS & Android Apps for Smart Phones & Tablets
- Free Central Management Software (CMS) to manage multiple units & sites from a single platform
- Free MAC client software to easily manage your system from your Apple computer
- NDAA Compliant

System	PN3A-8X8FNH
OS	Embedded Linux
Video	
Compression	H.265S/H.265+/H.265/H.264
IP Video Input	8CH IPC input
Resolution	12MP/8MP/6MP/5MP/4MP/3MP/1080P/1280 1024/960P/720P/960H/D1/CIF
Network Bandwidth	80Mbps/80Mbps (incoming/outgoing)
Output	
Multi-screen Display	Main output: 1/4/6/8/9 (live view) AUX output: 1/4/6/8/9 (live view) Max. 8+8 CH local live view
Audio	
Network Input	8 CH IPC audio input
2-way Audio	RCA × 1
Local Output	RCA × 1
Compression	G.711(U/A)
Record	
Resolution	12MP/8MP/6MP/5MP/4MP/3MP/1080P/1280×1024/960P/720P/960H/D1/CIF
Frame Rate	12MP: 20fps 8MP or lower resolution: NTSC: 30fps; PAL: 25fps
Playback	
Simultaneous Playback	Max 8 CH
Search	Time slice / time / event / tag / smart search
Smart Search	Highlighted color to display the camera record in a certain period of time, different colors refers to different record events
Function	Play, pause, FF, FB, digital zoom, etc.
Decoding Capability	
Live View/Playback	1CH 12MP/4CH 1080P

Alarm	
Mode	Manual, sensor, motion, exception, smart events, etc.
Input	8 CH local alarm input
Output	4 CH
Triggering	Record, snap, preset, e-mail, etc.
Face	
Face Detection Performance (AI by IPC)	8 CH
Face Detection Performance (AI by Device ONVIF)	2 CH
Face Match Performance Simultaneously	6 CH
Comparison Capability	18 pictures / second
Face Picture Database	32 libraries 10000 Face Pictures
Face Picture Search	Search by picture is supported
Database Management	Add, modify, delete and search face pictures
Face Picture Adding	Add face pictures through APP, WEB and external import
Face Picture Comparison	Supports allow list, block list and stranger match alarm
Track	Track display on a map
Statistical Graph of Information	Bar graph
Statistical Mode of Information	Statistics by day, week, month, quarter as well as customized time period
Video Structure Analysis (By ONVIF)	
Human/Vehicle Classification	Yes (2CH Max)
Other Functions	
Fisheye Support	Web Browser (IE or Plugin Pro Required) and Mobile App
Plate Recognition (AI by IPC)	Yes
PoE	
PoE Port	RJ 45 100Mbps × 8
Standard	IEEE802.3AF/AT
Output Power	≤ 96W
Network	
Interface	RJ 45 1000 Mbps × 1
Protocol	TCP / IP, DHCP, DNS, DDNS, UPnP, NTP, SMTP, HTTP, HTTPS, 802.1x, RTSP, SNMP, ONVIF, etc. PPPo
Client Connection	Max. 64 users access
Mobile Device	
OS	iOS, Android
Storage	
HDD Interface	SATA × 1, max 18TB
Backup	
Local Backup	USB, USB To HDD
Network Backup	Yes
External Interface	
RS 485	Yes (full-duplex), connect to PTZ
USB	USB 3.0 × 1; USB 2.0 × 2
Remote Controller	Included
Others	
Power Supply	DC48V/2.5A
Consumption	≤ 20W (without HDD and PoE power supply)
Certificate	CE, FCC
Environmental Protection	Complies with Directive EU RoHS, REACH and WEEE
Dimensions (W × D × H)	11.8 × 9.8 × 1.8 in (300 × 249 × 45 mm)
Working Environment	14°F ~ 122°F (-10°C ~ 50°C) 10% ~ 90% humidity

Ordering Information

PN3A-8X8FNH: 8 Ch NVR with 8 Plug & Play Ports



PN3A-16X16FNH

32 Ch NVR with 16 Plug & Play Ports, 192 Mbps, (2) NIC Cards, 4 HD Bays, 4K

Features

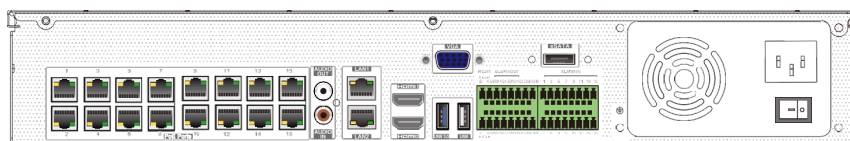
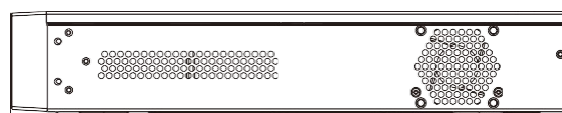
- 16 Plug & Play Ports for easy camera setup PoE (Power Over Ethernet) available on all ports
- Up to 12 Megapixel Resolution Recording
- (2) NIC Cards: Connect Cameras 1-16 via PnP into unit. Connect cameras 17-32 via switch behind closed network
- True Facial Recognition Capable with Compatible Camera: 6 Channels Total
- 192 Mbps Bit Rate Input
- Supports up to 16 channel simultaneous playback
- Works with ONVIF or other supported IP cameras
- Outputs - 1 HDMI (4K), 1 HDMI (1080p), VGA (1080p)
- True P2P Connectivity with QR Code Connect
- Multiple video search options including Thumbnail Search for quick retrieval of footage
- H.265S/H.265+/H.265/H.264 video compression
- Free iOS & Android Apps for Smart Phones & Tablets
- Free Central Management Software (CMS) to manage multiple units & sites from a single platform
- Free MAC client software to easily manage your system from your Apple computer
- NDAA Compliant

System	
OS	Embedded Linux
Video	
Compression	H.265S/H.265+/H.265/H.264
IP Video Input	32CH IPC input
Resolution	12MP/9MP/8MP/6MP/5MP/4MP/3MP/1080P/1280x1024/960P/720P/960H/D1/CIF
Network Bandwidth	320Mbps/256Mbps (incoming/outgoing)
Output	HDMI1 : 3840 x 2160/1920 x 1080 / 1280 x 1024 / 1024 x 768 HDMI2 : 1920 x 1080 / 1280 x 1024 / 1024 x 768 VGA x1 : 1920 x 1080 / 1280 x 1024 / 1024 x 768 VGA and HDMI1 output the same video source
Multi-screen Display	Main output: 1/4/6/8/9/13/16/25/32/36 (live view) AUX output: 1/4/6/8/9 (live view) Max. 32+9CH local live view
Audio	
Network Input	32 CH IPC audio input
2-Way Audio	RCA x 1
Local Output	RCA x 1
Compression	G.711(U/A)
Record	
Record Stream	Dual stream recording
Resolution	12MP/9MP/8MP/6MP/5MP/4MP/3MP/1080P/1280x1024/960P/720P/960H/D1/CIF
Frame Rate	12MP: 20fps; 9MP or lower resolution: NTSC: 30fps; PAL: 25fps
Playback	
Simultaneous Playback	Max 16CH
Search	Time slice / time / event / tag / smart search
Smart Search	Highlighted color to display the camera record in a certain period of time, different colors refers to different record events
Function	Play, pause, FF, FB, digital zoom, etc.
Decoding Capability	
Live View/Playback	1CH 12MP/4CH 1080P
Alarm	
Mode	Manual, sensor, motion, exception, smart events, etc.
Input	16 CH local alarm input
Output	4 CH

Ordering Information

PN3A-16X16FNH: 32 Ch, 16 PnP Ports

Triggering	Record, snap, preset, e-mail, etc.
Face	
Face Detection Performance (AI by IPC)	32CH (PAR-P2FACE/NH-AI Models)
Face Detection Performance (AI by Device ONVIF)	2 CH (2MP by ONVIF)
Face Match Performance Simultaneously	6 CH (Total Channels NVR can compute for facial recognition)
Comparison Capability	18 pictures / second
Face Picture Database	32 libraries 10000 Face Pictures
Face Picture Search	Search by picture is supported
Database Management	Add, modify, delete and search face pictures
Face Picture Adding	Add face pictures through APP, WEB and external import
Face Picture Comparison	Support successful face recognition alarm and stranger match alarm
Track	Track display on a map
Statistical Graph of Information	Bar graph
Statistical Mode of Information	Statistics by day, week, month, quarter as well as customized time period
Perimeter Protection	
Human/Vehicle Classification (AI by IPC)	Up to 32CH
Human/Vehicle Classification (AI by Device)	2CH (2MP)
Video Metadata	
Human/Vehicle Attribute Analysis (AI by IPC)	Yes
Other Functions	
Fisheye	Supports fisheye dewarping via Web Client and mobile APP (No Local Monitor Dewarp)
Plate Recognition (AI by IPC)	Up to 32ch
Network	
Interface	RJ 45 1000 Mbps x 2
Protocol	TCP / IP, HTTP, HTTPS, 802.1X, FTP, DHCP, DDNS, RTP, RTSP, RTCP, NTP, UPnP, SMTP, IPv6, IPv4, UDP, WebSocket, PPPoE, SNMP, IGMP
Client Connection	Max. 128 users access
PoE	
PoE Port	RJ 45 100Mbps x 16
Standard	IEEE802.3AF/AT
Output Power	≤ 150W
Mobile Device	
OS	iOS, Android
Storage	
HDD Interface	SATA x 4, max 18TB for each HDD
E-SATA Interface	E-SATA x 1 (Max Single Drive, up to 18TB, For recording only)
Backup	
Local Backup	USB, USB To HDD (Max 1TB)
Network Backup	Yes
External Interface	
RS 485	Yes (full-duplex) connect to PTZ
USB	USB 3.0 x 1 ; USB 2.0 x 2
Remote Controller	Included
Others	
Power Supply	ATX 300W(PoE)
Consumption	≤ 20W (without HDD and PoE power supply)
Certificate	CE, FCC
Environmental Protection	Complies with Directive EU RoHS, REACH and WEEE
Dimensions(mm)	17.3 x 15.4 x 2.8 in (440 x 390 x 70 mm)
Working Environment	14°F ~ 122°F (-10°C ~ 50°C) 10% ~ 90% humidity
Environmental Protection	Complies with Directive EU RoHS, REACH and WEEE





PN3A-32X16FNH

32 Ch NVR with 16 Plug & Play Ports, 192 Mbps, (2) NIC Cards, 8 HD Bays, 4K

Features

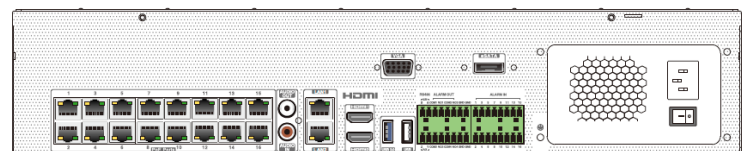
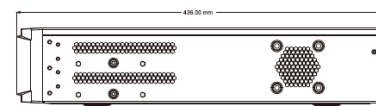
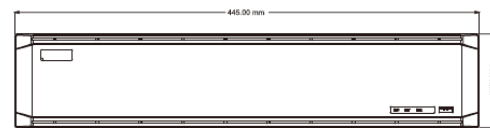
- 16 Plug & Play Ports for easy camera setup PoE (Power Over Ethernet) available on all ports
- Up to 12 Megapixel Resolution Recording
- (2) NIC Cards: Connect Cameras 1-16 via PnP into unit. Connect cameras 17-32 via switch behind closed network.
- True Facial Recognition Capable with Compatible Camera: 6 Channels Total
- 192 Mbps Bit Rate Input
- Supports up to 16 channel simultaneous playback
- Works with ONVIF or other supported IP cameras
- Outputs - 1 HDMI (4K), 1 HDMI (1080p), VGA (1080p)
- True P2P Connectivity with QR Code Connect
- Multiple video search options including Thumbnail Search for quick retrieval of footage
- H.265S/H.265+/H.265/H.264 video compression
- Free iOS & Android Apps for Smart Phones & Tablets
- Free Central Management Software (CMS) to manage multiple units & sites from a single platform
- Free MAC client software to easily manage your system from your Apple computer
- NDAA Compliant

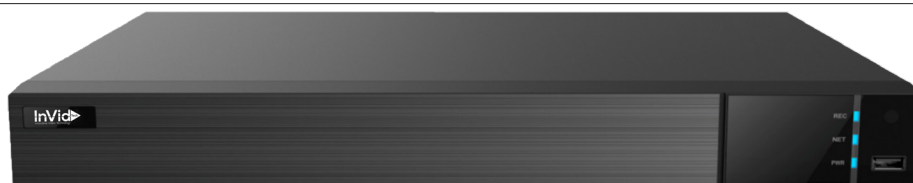
System	
OS	Embedded Linux
Video	
Compression	H.265S/H.265+/H.265/H.264
IP Video Input	32 Ch IPC Input
Resolution	12MP/8MP/6MP/5MP/4MP/3MP/1080P/1280x1024/960P/720P/960H/D1/CIF
Network Bandwidth	320Mbps/256Mbps (incoming/outgoing)
Output	HDMI1 : 3840 × 2160/1920 × 1080 / 1280 × 1024 / 1024 × 768 HDMI2 : 1920 × 1080 / 1280 × 1024 / 1024 × 768 VGA × 1: 1920 × 1080 / 1280 × 1024 / 1024 × 768 VGA and HDMI1 output the same video source
Multi-screen Display	Main output: 1/4/6/8/9/13/16/25/32/36 (live view) AUX output: 1/4/6/8/9 (live view) Max. 32+9CH local live view
Audio	
Network Input	32 Ch IPC Audio Input
2-Way Audio	RCA x 1
Local Output	RCA x 1
Compression	G.711 (U/A)
Record	
Record Stream	Dual Stream Recording
Resolution	12MP/8MP/6MP/5MP/4MP/3MP/1080P/1280x1024/960P/720P/960H/D1/CIF
Frame Rate	12MP: 20fps; 9MP or lower resolution: NTSC: 30fps; PAL: 25fps
Playback	
Simultaneous Playback	Max 16 Ch
Search	Time slice / time / event / tag / smart search
Smart Search	Highlighted color to display the camera record in a certain period of time, different colors refers to different record events
Function	Play, Pause, FF, FB, Digital Zoom, etc.
Decoding Capability	
Live View/Playback	1CH 12MP/4CH 1080P
Alarm	
Mode	Manual, sensor, motion, exception, smart events, etc.
Input	16 CH local alarm input

Ordering Information

PN3A-32X16FNH: 32 Ch, 16 PnP Ports

Output	4 CH
Triggering	Record, snap, preset, e-mail, etc.
Face	
Face Detection Performance (AI by IPC)	32CH (PAR-P2FACE/NH-AI Models)
Face Detection Performance (AI by Device ONVIF)	2 CH (2MP by ONVIF)
Face Match Performance	6 CH (Total Channels NVR can compute for facial recognition)
Comparison Capability	18 pictures / second
Face Picture Database	32 libraries 10000 Face Pictures
Face Picture Search	Search by picture is supported
Database Management	Add, modify, delete and search face pictures
Face Picture Adding	Add face pictures through APP, WEB and external import
Face Picture Comparison	Support successful face recognition alarm and stranger match alarm
Track	Track display on a map
Statistical Graph of Information	Bar graph
Statistical Mode of Information	Statistics by day, week, month, quarter as well as customized time period
Perimeter Protection	
Human/Vehicle Classification (AI by IPC)	Up to 32CH
Human/Vehicle Classification (AI by Device)	2CH (2MP)
Video Metadata	
Human/Vehicle Attribute Analysis (AI by IPC)	Yes
Other Functions	
Fisheye	Supports fisheye dewarping via Web Client and mobile APP (No Local Monitor Dewarp)
Plate Recognition (AI by IPC)	Up to 32ch
Network	
Interface	RJ 45 1000 Mbps × 2
Protocol	TCP / IP, IPv4, IPv6, UDP, PPPoE, DHCP, DNS, DDNS, UPnP, NTP, SMTP, HTTP, HTTPS, 802.1x, RTSP, SNMP, ONVIF, etc.
Client Connection	Max. 128 users access
PoE	
PoE Port	RJ 45 100Mbps × 16
Standard	IEEE802.3AF/AT
Output Power	≤ 150W
Mobile Device	
OS	iOS, Android
Storage	
HDD Interface	SATA × 8, max 18TB for each HDD
E-SATA Interface	E-SATA × 1 (Max Single Drive, up to 18TB, For recording only)
Backup	
Local Backup	USB, USB To HDD (Max 1TB)
Network Backup	Yes
External Interface	
RS 485	Yes (full-duplex) connect to PTZ
USB	USB 3.0 × 1; USB 2.0 × 2
Remote Controller	Included
Others	
Power Supply	ATX 300W(PoE)
Consumption	≤ 30W (without HDD and PoE power supply)
Certificate	CE, FCC
Environmental Protection	Complies with Directive EU RoHS, REACH and WEEE
Dimensions (W × D × H)	17.5 × 17.2 × 3.5 in (445 × 436 × 90 mm)
Working Environment	14°F ~ 122°F (-10°C ~ 50°C) 10% ~ 90% humidity





PD2B-16NH

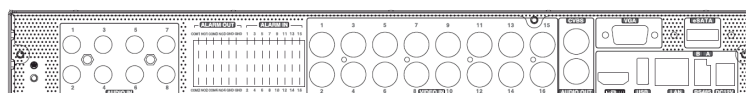
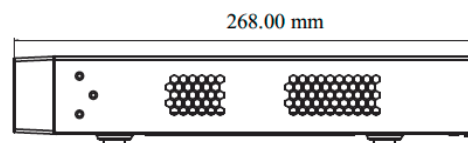
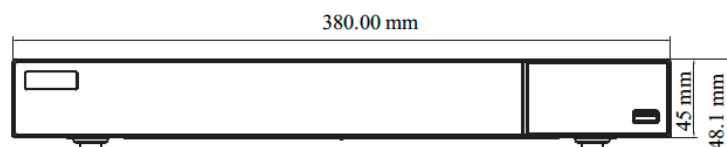
16 Ch + 8 Bonus IP Ch (Up to 24 Cameras Total) Universal Port Recorder with Smart Analytic Support and Smart Motion Detection, Audio over Coax

Features

- Smart Analytic Support: 1 ch
- Smart Motion Detection (SMD)
- Supports Audio over Coax (AoC)
- 16 Channel Universal Port DVR (TVI/AHD/CVI/Analog/IP)
- TVI/AHD/CVI: 8MP Analog: 960h, IP: 8MP
- 8 Bonus IP Channels - Up to 8 Megapixel
- Total Max IP Input: 16 (Including Bonus IPC)
- 264/H.265/265+ Video Compression
- True P2P Connectivity with QR Code Connect
- HDMI up to 4K
- Simultaneous HDMI/VGA up to 1080p Resolution
- CVBS Main or Spot Monitor
- Supports up to 16 Channel Simultaneous Playback
- Multiple video search options including Thumbnail Search for quick retrieval of footage. Smart Search (Bonus IPC channels only)
- Watermarking
- Free iOS & Android Apps for Smart Phones & Tablets
- Free Central Management Software (CMS) to manage multiple units & sites from a single platform
- Free MAC client software to easily manage your system from your Apple computer
- NDAA Compliant

Model	
System	
OS	Embedded Linux
Video	
Analog Video Input	BNC × 16 BNC interface (1.0Vp-p; 75Ω) TVI/AHD/CVI: 4K@15fps, 5MP@20fps, 4MP/3MP/1080P/720P/WD1@30fps (live)
IP Video Input	8CH(Up to 16CH) Up to 8MP@30fps
Total Input	24CH
Output	HDMI × 1: 3840 × 2160 / 1920 × 1080 / 1280 × 1024 VGA × 1: 1920 × 1080 / 1280 × 1024 BNC × 1: CVBS (used as the main or spot output)
Compression	H.264/H.265/H.265+
Multi-screen Display	1/4/6/8/9/13/16/25
Audio	
Input	RCA × 8
Output	RCA × 1 (linear, 600Ω)
Two-way audio	Take up channel one audio input
Compression	G.711(U/A)
Record	
Resolution	4K/4K Lite/5MP/5MP Lite/4MP/4MP Lite / 3MP/1080P/720P/WD1/D1
Frame Rate	Analog Channel: 4K@ 8fps (PAL/NTSC) 4K Lite@12fps/15fps (PAL/NTSC) 5MP@12fps (PAL / NTSC) 5MP Lite@20fps (PAL / NTSC) 4MP/3MP@12fps/ 15fps (PAL / NTSC) 4MP Lite/1080P/720P/WD1/D1@25fps / 30fps (PAL / NTSC) IP Channel: 8MP@ 25fps / 30fps (PAL / NTSC)

Bit Rate	32Kbps ~ 5Mbps
Mode	Manual, timed, motion, smart event
Playback	
Playback	16CH
Search	Time slice / time / event / tag search
Smart Search	Highlight colors to display the camera record in a certain period of time, different colors refer to different record
Function	Play, pause, FF, FB, digital zoom, etc.
Alarm	
Mode	Manual, motion, exception, smart event
Input	16CH
Output	4CH
AI Function	
Smart Motion Detection Performance	16CH (Human + Vehicle Detection)
Perimeter Protection Performance	1CH (Human + Vehicle Detection)
Network	
Interface	RJ 45 1000Mbps × 1
Protocol	TCP / IP, PPPoE, DHCP, DNS, DDNS, UPnP, HTTP, HTTPS, NTP, SMTP
Incoming Bandwidth	32Mbps (max. 64 Mbps)
Outgoing Bandwidth	96Mbps
Client Connection	Max. 10 users access
Mobile Device	
OS	iOS, Andriod
Storage	
HDD	SATA× 2, up to 18TB per HDD; E-SATA× 1 (One 18TB Max Drive, Record Only)
Backup	
Local Backup	USB, USB to HDD (Max 1TB)
Network Backup	Yes
Port	
RS 485	Yes (half-duplex), connect to PTZ
USB	USB 3.0 × 1; USB2.0 × 1
Remote Controller	Included
Others	
Power Supply	DC12V / 4A
Consumption	≤ 30W (without HDD)
Dimensions (W × D × H)	15 × 10.6 × 1.8 in (380 × 268 × 45 mm)
Working Environment	14°F ~ 122°F (-10°C ~ 50°C), 10%~90% (humidity)
Certificate	CE, FCC
Environmental Protection	Comply with Directive EU RoHS, WEEE, REACH



Ordering Information

PD2B-16NH: 16 Channel Universal Port DVR

InVid Tech, reserves the right to make changes to improve our products at any time without notice; we are not responsible for misprints.



PAR-P4BIRA2812NH-AI

4 Megapixel IP Plug & Play, Outdoor Bullet, 2.8-12mm Motorized Auto-Focus Lens, True AI, Up to 164' IR Range, WDR, Audio Input, SD Card Slot, 12VDC/PoE

Features

- True AI Human and Vehicle Classification for Line Crossing and Intrusion Detection
- 4 Megapixel Resolution
- Motorized Auto-Focus 2.8-12mm Lens
- True Day/Night with IR Range up to 164'
- H.265+, H.265, H.264+, H.264
- 30 FPS Recording and Live
- True WDR 120dB
- Micro SD Slot: Up to 256GB
- Audio Input
- IP67 Weatherproof
- 12VDC/PoE Operation
- ONVIF
- Supports Native Chrome/EDGE Use
- Free iOS & Android Apps for Smart Phones & Tablets
- Free Central Management Software (CMS)
- Free MAC Client
- NDAA Compliant

Camera	
Image Size	1 / 3 "CMOS
Image Sensor	2592 × 1520
Electronic Shutter	1/ 2 s ~ 1 / 100000 s
Iris Type	DC Iris
Min. Illumination	0.005 lux@F1.6,AGC ON;0 lux with IR
Lens	2.8~12mm@F1.3, H.FoV: 100.0° ~ 28.9°; V.FoV: 54.5°~16.7°; D.FoV: 104.8°~33.1°
Focus	Motorized
Lens Mount	Φ14
Day & Night	ICR
Wide Dynamic Range	120dB
BLC	Yes
HLC	Yes
Defog	Yes
S/N Ratio	≥50dB
Digital NR	3D DNR
Angle Adjustment	Pan: 0°~360°; Tilt:0°~90°; Rotation: 0°~360°
Image	
Video Compression	Main stream: H.265+ / H.265 / H.264+ / H.264 Sub stream: H.265+ / H.265 / H.264+ / H.264 / MJPEG Third stream: H.265+ / H.265 / H.264+ / H.264 / MJPEG

H.264 Compression Standard	Baseline Profile/Main Profile/High Profile			
Resolution	4MP (2592 × 1520), 2K(2560 × 1440), 3MP(2304 × 1296), 1080P (1920 × 1080), 720P(1280 × 720), D1, CIF, 480 × 240			
Main Stream	4MP/2K/3MP/1080P / 720P(60Hz: 1 ~ 30fps; 50Hz: 1~25fps) HFR mode: 1080P / 720P(60Hz : 1 ~ 60fps; 50Hz: 1~50fps)			
Sub Stream	720P/D1/CIF/480×240 (60Hz : 1 ~ 30fps; 50Hz: 1~25fps)			
Third Stream	D1/CIF/480×240 (60Hz : 1 ~ 30fps; 50Hz: 1~25fps)			
Bit Rate	64 Kbps ~ 8 Mbps			
Bit Rate Type	VBR / CBR			
Audio Compression	G711A / U			
Image Settings	ROI, Saturation, Brightness, Hue, Contrast, Wide Dynamic, Sharpness, Image Mirror, Image Flip, NR, etc. adjustable through client software or web browser			
ROI	Each ROI to be configured separately			
Interfaces				
Network	RJ 45 10M/100M self-adaptive Ethernet port			
Audio	1CH audio input			
Video Output	No			
Storage	Built-in micro SD card slot; up to 256GB			
Reset	Yes			
Alarm	No			
Intelligent Analytics (Smart Events)				
Perimeter Protection	Line crossing, region entrance/exiting/intrusion (human/motor vehicle/non-motor vehicle classification)			
Statistics	Target counting by line/area, heat map			
Exception Detection	Scene change, video blur and abnormal color detection			
Face Detection	Face detection and face capture			
Other Events	Abandoned/missing object detection			
Video Metadata	Simultaneously captures human body, motor vehicle and non-motor vehicle and extracts 13 human features, 5 motor vehicle features and 1 non-motor vehicle feature			
DORI Distance				
Lens	Detect(ft)	Observe(ft)	Recognize(ft)	Identify(ft)
2.8~12mm(W)	193.3 (58.91m)	77.3 (23.6m)	38.64 (11.8m)	19.32(5.9m)
2.8~12mm(T)	675.82 (206m)	270.34 (82.4m)	135.2 (41.2m)	67.6 (20.6m)
Functions				
Remote Monitoring	Web Browser/Paramont CMS/NVR/Paramont CMS APP			
Web Browser	IE11(plugin required)/Chrome 89.0+/Edge 89.0+/Firefox 87.0+/Safari 14.0+			
Online Connection	Support simultaneous monitoring for up to 10 users; Support multi-stream real time transmission			
Network Protocol	UDP, IPv4, IPv6, DHCP, NTP, RTSP, RTP, RTMP, RTCP, PPPoE, DDNS, SMTP, FTP, SNMP,HTTP, 802.1x, UPnP, HTTPS, HTTP POST, QoS			
Interface Protocol	ONVIF Profile T			
Storage	Network remote storage; micro SD card storage			
Smart Alarm	Motion detection, SD card error, SD card full			
General Function	Watermark, video mask, heartbeat, image distortion correction, corridor pattern			
Security	Video encryption, firmware encryption, HTTPS encryption, configuration encryption, illegal login lock, IP address filtering, 802.1x authentication, basic and digest authentication for HTTP/HTTPS			
PoE	Yes , IEEE802.3af			
IR Distance	Up to 164'			
Ingress Protection	IP67			
Others				
Power Supply	DC12V/PoE			
Power Consumption	< 9.5W			
Storage Conditions	-22°F ~ 149°F (-30°C ~ 65°C), Humidity: less than 95 % (non-condensing)			
Operating Conditions	-22°F ~ 140°F (-30°C ~ 60°C), Humidity: less than 95 % (non-condensing)			
Dimensions	8.6 × 3.2 × 3.2in (217.8 × 80.5 × 80.3 mm)			
Weight (net)	Approx. 1.52lb (0.69KG)			
Installation	Ceiling mounting; Wall mounting			
Certifications	UL: E496771, CE, FCC			
Environmental Protection	Directive EU RoHS, WEEE(2012/19/EU), directive 94/62/EC & REACH(EC1907/2006)			

Ordering Information

PAR-P4BIRA2812NH-AI: 4 Megapixel Bullet, 2.8-12mm Motorized A/F

InVid Tech, reserves the right to make changes to improve our products at any time without notice; we are not responsible for misprints.



PAR-P5DRIRA2812NH-AI

5 Megapixel IP Plug & Play, Outdoor Vandal Dome, 2.8-12mm Auto-Focus Motorized, CVBS Output, 164' IR Range, True WDR, Built-in Mic, Audio Input/Output, SD Card Slot, 12VDC/PoE

Features

- 5 Megapixel Resolution
- Motorized Auto-Focus 2.8-12mm Lens
- True AI Human and Vehicle Classification for Line Crossing and Intrusion Detection
- True Day/Night with IR Range up to 164'
- H.265+, H.265, H.264+, H.264, MJPEG Compression
- 30 FPS Recording and Live
- True WDR 120dB
- CVBS Video Output
- Micro SD Slot for Local Storage, up to 256 GB
- Audio Input: Built-in Mic
- Audio Output
- IP67 Weatherproof
- IK10 Vandal Resistant
- 12VDC/PoE Operation
- ONVIF
- Free iOS & Android Apps for Smart Phones & Tablets
- Free Central Management Software (CMS)
- Free MAC Client
- NDAA Compliant

Ordering Information

PAR-P5DRIRA2812NH-AI: 5 Megapixel Motorized Auto-Focus Dome, 2.8-12mm

Specifications	
Camera	
Image Sensor	1 / 2.7" CMOS
Image Size	2592 × 1944
Electronic Shutter	1 s ~ 1 / 100000 s
Iris Type	DC Iris
Min. Illumination	0.007 lux@F1.2,AGC ON; 0 lux with IR 0.01 lux@F1.4,AGC ON; 0 lux with IR
Lens	2.8~12mm@F1.4, motorized
Field of View	Horizontal: 95.1°~30°; Vertical:78.7°~22.8°; Diagonal: 107.6°~37.1°
Lens Mount	Ø14
Day & Night	ICR
Wide Dynamic Range	120dB
BLC	Yes
HLC	Yes
Defog	Yes
Digital NR	3D DNR
Angle Adjustment	Pan: 0°~345°; Tilt:0°~77°; Rotation: 0°~345°
Image	
Video Compression	H.265+ / H.265 / H.264+ / H.264 / MJPEG
H.264 Compression Standard	Baseline Profile/Main Profile/High Profile
Resolution	5MP (2592×1944), 4MP (2592×1520), 2K (2560×1440), 3MP(2304X 1296),1080P (1920×1080), 720P (1280×720), D1, CIF, 480×240
Main Stream	5MP/4MP/2K/3MP/1080P / 720P(60Hz : 1 ~ 30fps; 50Hz: 1~25fps) HFR mode: 1080P / 720P(60Hz : 1 ~ 60fps; 50Hz: 1~50fps)
Sub Stream	720P/D1/CIF (60Hz : 1 ~ 30fps; 50Hz: 1~25fps)
Third Stream	D1/CIF/480×240 (60Hz : 1 ~ 30fps; 50Hz: 1~25fps)
Bit Rate	64 Kbps ~ 8 Mbps
Bit Rate Type	VBR / CBR
Audio Compression	G711A / U
Image Settings	ROI, Saturation, Brightness, Hue, Contrast, Wide Dynamic, Sharpness, NR, etc. adjustable through client software or web browser
ROI	Each ROI to be configured separately
Interfaces	
Network	RJ45
Video Output	CVBS output (BNC × 1)
Audio	1CH audio input; 1CH audio output; 1CH built-in MIC
Storage	Built-in micro SD card slot; up to 256GB
Reset	Yes
Alarm	1CH alarm input; 1CH alarm output
Audio Sensitivity	-36db
Intelligent Analytics (Smart Events)	
Perimeter Protection	Line crossing, intrusion (human/motor vehicle/non-motor vehicle classification)
Target Counting	Line crossing human/motor vehicle/non-motor vehicle counting
Exception Detection	Scene change, video blur and video color cast detection
Face Detection	Face detection and face capture
Functions	
Remote Monitoring	Web browsing,CMS remote control
Online Connection	Support simultaneous monitoring for up to 10 users; Support multi-stream real time transmission
Network Protocol	UDP, IPv4, IPv6, DHCP, NTP, RTSP, RTP, RTCP, ICMP, IGMP, PPPoE, DDNS, SMTP, FTP, SNMP,HTTP, 802.1x, UPnP, HTTPs, QoS
Interface Protocol	ONVIF (Profile T)
Storage	Network remote storage; micro SD card storage
Smart Alarm	Motion detection, sensor detection, SD card error, SD card full, IP address conflict, cable disconnection
General Function	Watermark, IP address filtering, video mask, heartbeat, illegal login lock, image distortion correction
PoE	Yes , IEEE802.3af
IR Distance	164 ft (30 ~ 50 m)
Ingress Protection	IP67& IK10
Others	
Power Supply	DC12V/PoE
Power Consumption	< 9W
Operating Environment	-22°F~140°F (- 30 °C ~ 60 °C) Humidity: less than 95 % (non-condensing)
Dimensions	Ø5.55 x 3.94 in (141 × 100.2 mm)
Weight (net)	Approx. 2lbs (0.93KG)
Installation	Ceiling mounting; Wall mounting
Certifications	UL: E496771, CE, FCC
Environmental Protection	Complies with Directive EU RoHS, WEEE(2012/19/EU) , directive 94/62/EC and REACH(EC1907/2006)



PAR-P6PANNH2

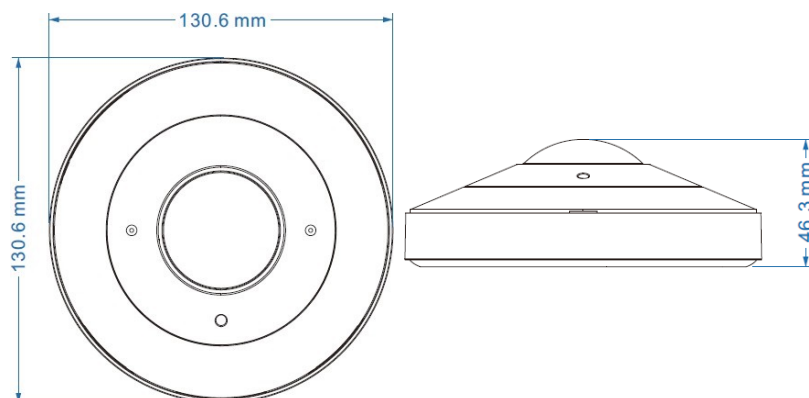
6 Megapixel IP Plug & Play, Outdoor Panoramic Camera, IR Range up to 65', CVBS Output, Built-in Mic, SD Card Slot, 12VDC/PoE

Features

- True AI Human and Vehicle Classification for Line Crossing and Intrusion Detection
- Supports Native Chrome/Edge Use
- 6 Megapixel (2160 x 2160) Resolution
- Fixed Lens/360 Degree View Dewarping Capabilities
- H.265+/H.265/H.264/H.264+/MJPEG Compression
- True Day/Night
- True P2P Connectivity with QR Code Connect
- IR Range up to 65'
- CVBS Video Output
- SD Card Local Storage, 256GB
- IP67 Weatherproof
- Audio Input/Output: Built-In Mic
- 12VDC/PoE Operation
- ONVIF
- Free MAC client software available to manage your system from your Apple computer
- Free Central Management Software (CMS) to manage multiple units & sites from a single platform
- Free iOS & Android Apps for Smart Phones & Tablets
- NDAA Compliant

Camera	PAR-P6PANNH2
Image Sensor	1/2.5" Progressive Scan CMOS
Effective Pixels	2160 x 2160
Electronic Shutter	1/3s ~ 1/1000000s
IRIS	Fixed IRIS
Lens	1.65mm @F2.0, horizontal field of view : 180 (wall mounting), 360 (ceiling mounting), 360 (desktop)
WDR	120dB
S/N Ratio	≥ 50dB
BLC	Yes
HLC	Yes
Digital NR	3D NR
Image	
Video Compression	Main stream: H.265+ / H.265/ H.264+ / H.264 Sub stream: H.265+ / H.265/ H.264+ / H.264 MJPEG
H.264 Compression Standard	Baseline Profile/Main Profile/High Profile

Main Stream	Mode 1 Fisheye+Panoramic+3 PTZ Fisheye view 50Hz: 25fps@(2160×2160, 1440×1440) Fisheye view 60Hz: 30fps@(2160×2160, 1440×1440) Panoramic view 50Hz: 25fps@(3200×1800,1920×1080) Panoramic view 60Hz: 30fps@(3200×1800,1920×1080) 3PTZ view 50Hz: 15fps@(1280×720) * 3 3PTZ view 60Hz: 15fps@(1280×720) * 3
	Mode 2 Fisheye+ 4 PTZ Fisheye view 50Hz: 25fps@(2160×2160, 1440×1440) Fisheye view 60Hz: 30fps@(2160×2160, 1440×1440) 4PTZ view 50Hz: 15fps@(1280×720) * 4 4PTZ view 60Hz: 15fps@(1280×720) * 4
	Mode3 Fisheye+ 4 PTZ Fusion Fisheye view 50Hz: 25fps@(2160×2160, 1440×1440) Fisheye view 60Hz: 30fps@(2160×2160, 1440×1440) 4PTZ fusion view 50Hz: 20fps@2560×1440 4PTZ fusion view 60Hz: 20fps@2560×1440
Sub Stream	Fisheye view: 50Hz: 25fps@(960×960,480×480) Fisheye view: 60Hz: 30fps@(960×960,480×480)
Bit Rate	64Kbps ~ 10Mbps
Bit Rate Type	VBR/CBR
Audio Compression	G711A / U
Image Settings	ROI, Saturation, Brightness, Hue, Contrast, Wide Dynamic, Sharpness, Image Flip, Image Mirror, NR, etc. adjustable through client software or web browser
ROI	8 ROI, each ROI to be configured separately
Interfaces	
Network	1 CH RJ45 10 M/100 M self-adaptive Ethernet port
Video Output	CVBS (BNC ×1)
Audio	2CH Built-in MIC, 1 CH audio input, 1CH audio output
RS-485	Yes, half-duplex
Storage	Built-in micro SD card slot, up to 256GB
Reset	Yes
Alarm	1CH alarm input, 1CH alarm output
Functions	
Remote Monitoring	Web browser/Paramont CMS/NVR/Paramont APP
Web Browser	IE11(plug-in required)/Chrome 89.0+/Edge 89.0+/Firefox 87.0+/Safari 14.0+
Online Connection	Support simultaneous monitoring for up to 6 users; Support multi-stream real time transmission
Network Protocol	UDP, IPv4, IPv6, DHCP, NTP, RTSP, RTP, RTCP, RTMP, SNMP, PPPoE, DDNS, 802.1x, SMTP, FTP, UPnP, HTTPS, HTTP, QoS, P2P, HTTP POST
Interface Protocol	ONVIF Profile T
Intelligent Analytics	Mode 1/2/3 (ceiling mounting): (Human) region intrusion/region entrance/region exiting/target counting by line, crowd density detection, heat map
Smart Alarm	Motion detection, sensor alarm, SD card error, SD card full, IP address conflict, cable disconnection
General function	Watermark, video mask, heartbeat, corridor pattern, fisheye dewarping, system backup
PoE	Yes, IEEE802.3af
IR Distance	65' (10-20m)
Ingress Protection	IP67
General	
Power Supply	DC12V/PoE
Power Consumption	<10W
Working Environment	-22°F ~ 140 °F (-30°C ~ 60°C). Humidity 95% or less (non-condensing)
Dimensions	Φ 5.2 x 1.8 In. (130.6 × 46.3mm.)
Weight	Approx. 1.1 lb. (516.2KG)
Installation	Ceiling mounting(wall mounting available with the junction box and bracket)
Certificate	CE, FCC, UKCA
Environment Protection	Complies with Directive EU RoHS, WEEE(2012/19/EU) , directive 94/62/EC and REACH(EC1907/2006)



Ordering Information

PAR-P6PANNH2: 6 Megapixel Panoramic Camera



PAR-P4PTZXIR2812NH-AIWL

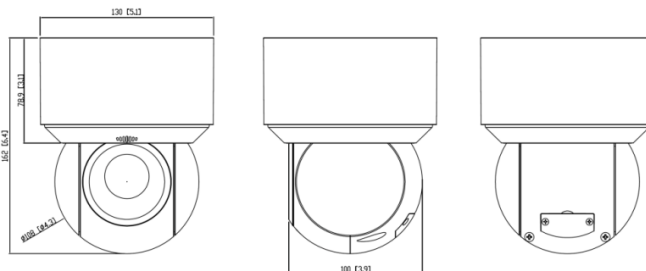
4 Megapixel IP Plug & Play, Outdoor PTZ, 2.8-12mm Motorized Auto-Focus, Up to 164' IR Range, Flashing White Deterrent Light and/or Siren, WDR, Built-in Mic + Speaker, SD Card Slot, 12VDC/PoE+

Features

- True AI Human and Vehicle Classification for Line Crossing and Intrusion Detection
- Flashing White Deterrent Light and/or Siren: Ai Triggered
- 4 Megapixel Resolution
- Motorized Auto-Focus 2.8-12mm Lens
- True Day/Night with IR Range up to 164'
- Smart IRs
- H.265+, H.265, H.264+, H.264, MJPEG
- 30 FPS Recording and Live
- True WDR 120dB
- Micro SD Slot: Up to 256GB
- Audio Input: Built-in Mic
- Audio Output: Built-in Speaker
- 12VDC/PoE++ Operation
- ONVIF
- Free iOS & Android Apps for Smart Phones & Tablets
- Free Central Management Software (CMS)
- Free MAC Client

Camera Module																
Image sensor	1/2.7" progressive scan CMOS with BSI and NIR+ technology															
Mini. Illumination	Color: 0.01 Lux @ (F1.6, AGC ON); B/W: 0.002Lux @ (F1.6, AGC ON); 0Lux with IR															
Image setting	Flip, Mirror, Saturation, Brightness, Contrast, Sharpness, AGC, and AWB adjusted by client															
Shutter Speed	50Hz: 1/25s~1/25,000s, 60Hz: 1/30s~1/30,000s															
White Balance	Auto/Manual/Indoor/Outdoor															
Gain	Auto/Manual															
Day & Night	Auto/Manual															
Aperture control	N/A															
S/N Ratio	≥52dB															
3D DNR	Auto/Manual															
AE Enhancement	BLC, HLC, WDR															
Privacy Mask	4 Programmable privacy masks, up to 8 per request															
Picture overlay	Logo picture could be overlaid on video with 128x128pixels, 24bits BMP format															
Font overlay	Max 15characters per line, 8lines max, white color or red color															
Lens																
Focus length	f=2.8-12mm lens, 4x optical															
Zoom Speed	About 1.6second(Wide->tele)															
Field of View	Horizontal: 97° to 31±5%; Vertical: 51° to 18±5%; Diagonal: 115° to 36±5% (wide-tele)															
Working distance	wide: 0.3m ~ INF; tele: 0.5m ~ INF															
Aperture Range	F1.6~ F2.7 (wide-tele)															
IRCut filter	Electrical switchable ICR															
DORI table	<table border="1"> <thead> <tr> <th>Lens</th> <th>Detect(25px/m)</th> <th>Observe(63px/m)</th> <th>Recognize(125px/m)</th> <th>Identify(250px/m)</th> </tr> </thead> <tbody> <tr> <td>2.8mm</td> <td>223 ft (68m)</td> <td>88.9 ft (27.1m)</td> <td>44.6 ft (13.6m)</td> <td>22.3 ft (6.8m)</td> </tr> <tr> <td>12mm</td> <td>678.1 ft (206.7m)</td> <td>269 ft (82m)</td> <td>135.5 ft (41.3m)</td> <td>68 ft (20.7m)</td> </tr> </tbody> </table>	Lens	Detect(25px/m)	Observe(63px/m)	Recognize(125px/m)	Identify(250px/m)	2.8mm	223 ft (68m)	88.9 ft (27.1m)	44.6 ft (13.6m)	22.3 ft (6.8m)	12mm	678.1 ft (206.7m)	269 ft (82m)	135.5 ft (41.3m)	68 ft (20.7m)
Lens	Detect(25px/m)	Observe(63px/m)	Recognize(125px/m)	Identify(250px/m)												
2.8mm	223 ft (68m)	88.9 ft (27.1m)	44.6 ft (13.6m)	22.3 ft (6.8m)												
12mm	678.1 ft (206.7m)	269 ft (82m)	135.5 ft (41.3m)	68 ft (20.7m)												
PTZ																
Pan Range	0°~355°															
Pan speed	Configurable, from 0.1°/80°/s; Preset speed: 80°/s															
Tilt Range	From -5° to 90°															
Tilt Speed	Configurable, from 0.1°/ 60°/s, Preset speed: 60°/s															
Pan/Tilt action																
intervals	At least 10seconds, adjustable															
Proportional Zoom	Yes															
Preset	300															
Cruise	8 cruises, up to 16 presets for each cruises															
Trace	4 traces, record time over 3 minutes for each trace															
Power off memory	Support															
Action mode	Preset/Cruise/Trace/Auto Scan/Random Scan															
3D Positioning	Support															
PTZ Position Display	Support															
Schedule Task	Preset/Cruise/Trace/Random Scan/Boundary Scanning /Dome reboot															
Supplement Light																
IR Distance	Up to 164 ft (50m), 4pcs of IR Array into 2 Groups, auto switch with zoom ratio															
Smart IR	Yes															
White light Distance	Up to 98ft., 2pcs of White LED Array (Deterrent Only)															
White light Mode	Flash mode(2x brightness), time interval adjustable; Constant Mode (On AI Events)															
Network																
Max Resolution	2560×1440															
Main stream	25fps (2560×1440, 2048×1536, 1920×1080, 1280×960, 1280×720); 30fps (2560×1440, 2048×1536, 1920×1080, 1280×960, 1280×720)															
Sub stream	25fps (704 × 576, 640 × 480, 352 × 288); 30fps (704 × 480, 640 × 480, 352 × 240)															
Third Stream	25fps (1280 × 720, 704 × 576, 640 × 480, 352 × 288); 30fps (1280 × 720, 704 × 480, 640 × 480, 352 × 240)															
Video compression	Smart H.265+/H.265/H.264+/H.264/MJPEG															
H.264 Encoder	H.264/AVC codec BP/MP/HP, level 5.1															
H.265 Encoder	H.265/HEVC codec MP, level 5.0															
Video bit rate	64Kbps ~ 16Mbps															

Audio Compression	G.711 A/U
Audio bit rate	64Kbps
Protocols	HTTP, HTTPS, IPV4/IPV6, 802.1x, QoS, FTP, SMTP, UPnP, SNMP, DNS, DDNS, NTP, RTSP, RTP, TCP/IP, UDP, IGMP, ICMP, DHCP, PPPoE
User / Host	Up to 16 users, 3 levels: Administrator, Advanced User and Normal User
Security Measures	User authentication (ID and PW), Host authentication (MAC address); HTTPS encryption, IEEE802.1x port-based network access control; IP address filtering
Smart Features	
Basic event	Motion detection, video tampering alarm, exception (network disconnected, IP address conflict, SD full, SD error)
Face recognize	Support human face detection, max 15 human faces per scene. Support face capture, tracking, comparison, edge storage
Road traffic	Vehicle detecting and tracking, etc.
Smart Detection	Tripwire, Bi-directional tripwire, Illegal intrusion detection, Region entrance detection, Region exiting detection, etc. (Human and Vehicle Classification)
Smart Tracking	Smart tracking of human or vehicle, auto/manual
Active Deterrence	Flash strong white light and predefined voice upon invaders detected. Support 10 more different predefined voice clips
Dual way talk	Alarm Deterrent + Two Way Audio
System Integration	
Ext. Audio Interface	1-ch audio input(mic in); 2.0-2.4Vp-p, 1kΩ±10%; 1-ch audio output(line out), line level, impedance: 600 Ω;
Built-in Speaker	Yes
Built-in Speaker Info	Power/output: 1W, dB: ≥90dB, Frequency: 100-4KHz
Built-in MIC	1channel, rotation with camera lens direction, up to 15 ft distance voice recordable.
Audio device switch	Default use built-in speaker and MIC, manually switch to external
Alarm Linkage	Alarm actions, such as Preset, Cruise, Trace, Memory Card Video Record, Trigger Recording, Notify Surveillance Center, Upload to FTP/Memory Card, Send Email, etc
Network Interface	1 RJ45 10M/100M Adaptive Ethernet (Support PoE+)
Storage Slot	Standalone ext. memory card chamber, support microSD/TF card, up to 256GB
Serial interface	N/A (RS485/232)
Auxiliary video out	N/A(BNC/CVBS/TVI)
Reset button	Yes
Heat and Fan	Built-in temperature sensor, auto shut down at over-temperature; auto heat at cold start. No built-in fan.
Water removal	Dust and Water-resistant coating for lens cover
API	ONVIF, support TVT SDK and third-party management platform
Client	Paramont NVR, Paramont CMS, free iOS and Android App
Web Browser	IE8-11
App version	Default: 5.0.1. Update to 5.11 per request
Audio Sensitivity	-36db
General	
Languages	Czech; English, German; Hungarian ; Italian ; Japanese ; Korean ; Portuguese, Polish; Russian, Romanian, Spanish; Spanish(Mexico); Simplified Chinese; Turkish; Traditional Chinese. etc.
Power	DC12V±20%, 3000mA, PoE+ (802.3.at), AVG. 4.5Watt, Max 16.2Watt at day; 20.2Watt at night (LED on, Speaker on + PT Rotation)
Working condition	-40°F ~ 158°F (-40°C ~ 70°C) IR off, -40°F ~ 140°F (-40°C ~ 60°C) IR on; Cold start> 25°C(1Hour waiting), ≤90%RH
Storage condition	-40°F ~ 158°F (-40°C ~ 70°C); ≤ 95% RH
Protection	6000V Lightning Protection, Surge Protection and Voltage Transient Protection
Shield Material	Main body: Aluminum Alloy(ADC12); Decoration: Polymer(Glass fiber and Plastic)
Dimensions	5.1 × 6.4" (130 × 162 mm)
Net Weight	Approx. 2.65lb (1.2Kg)
Certification	IP66, IK10 (include lens window), ROHS, CE, FC, 3C



Ordering Information

PAR-P4PTZXIR2812NH-AIWL: 4 Megapixel PTZ, 2.8-12mm Motorized A/F

InVid Tech, reserves the right to make changes to improve our products at any time without notice; we are not responsible for misprints.



PAR-P8PTZXIR32NH-AI

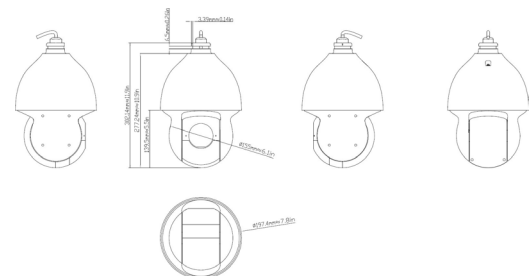
8 Megapixel IP Plug & Play, Outdoor PTZ, 32x Optical Zoom, up to 656' IR Range, True WDR, SD Card Slot, DC24V/PoE++

Features

- True AI Human and Vehicle Classification for Line Crossing and Intrusion Detection
- Supports Native Chrome/Edge Use
- 8 Megapixel Resolution
- Supports Smart tracking Based off AI Event
- True Day/Night with IR Range up to 656'
- H.265,H.265+,H.264,H.264+ Compression
- 30 FPS Recording and Live
- True WDR
- Micro SD Slot: Up to 256GB
- Audio Input/Audio Output
- IP67 Weatherproof
- DC24V/PoE++ Operation
- ONVIF
- Free iOS & Android Apps for Smart Phones & Tablets
- Free Central Management Software (CMS) for PC/MAC
- NDAA Compliant

Camera Module	
Image sensor	1/2.8" progressive scan CMOS image sensor, BSI and NIR++,dual gain(SONY IMX715)
Max resolution	3840x2160
Mini. Illumination	Color: 0.01 Lux @ (F1.3,AGC ON); B/W:0.002 Lux @(F1.3 AGC ON); 0 Lux with IR
Image setting	Flip, Mirror, Saturation, Brightness, Contrast, Sharpness, AGC, etc. adjusted by client
Shutter Speed	60Hz: 1/30s – 1/30,000s@30fps; 50Hz: 1/25s~1/25,000s@25fps
White Balance	Auto/Manual/Indoor/Outdoor
Gain control	Auto/Manual
Day & Night control	Auto/Manual_time schedule
Iris control	Auto/Manual
SNR	≥52dB
3D DNR	Auto/Manual
AE Enhancement	BLC, HLC, WDR/HDR
Digital Zoom	8X
EIS	N/A
Privacy Mask	4 mask areas (Ver 5.1.3 update: 24 programmable polygon privacy masks, color or mosaic configurable)
Picture overlay	Logo picture could be overlaid on video with 128x128pixels,24bits format
OSD overlay	Max 15 characters/line, 8 lines, white or red font color
Lens	
Focus length	f=4.8-154mm,32x optical zoom
Zoom Speed	Approx. 4.6s (optical zoom, wide-tele)
Field of View	Horizontal: 61.3°~2.18°;Vertical: 36.9°~ 1.22°; Diagonal: 68.4°~ 2.5°(wide-tele) ±5%
Image distance	Wide: 1.0m ~ INF; tele: 1.5m ~ INF
Aperture Range	F1.3~F4.8(W-T)
Iris Type	DC_IRIS
IR Cut type	Removable IRCF, reflection type
PTZ	
Pan Range	360°endless
Pan speed	Configurable, from 0.1°~360°/s; Preset speed: 330°/s
Tilt Range	From -25°to 155°,auto flip at 90°
Tilt Speed	Configurable, from 0.1°~210°/s, Preset speed: 180°/s
Proportional Zoom	Yes
Preset	360
Cruise	8 cruises, up to 16 presets (ver5.1.3 update:32presets) for each cruises
Trace	4 traces, record time over 3 minutes(ver5.1.3 update: 10minutes) for each trace
Power off memory	Support
Action mode	Preset/Cruise/Trace/Auto Scan/Random Scan
3D Positioning	Support
PTZ status display	Support
Schedule Task	Preset/Cruise/Trace/Random Scan/Boundary Scanning /Dome reboot
IR	
IR Distance	656 ft (200m)
IR type	8pcs of 5W 855nm IR Array, 4groups
Smart IR	Yes
Network	
Main stream	50Hz: 25fps: 3840x2160, 2560x1440, 1920x1080, 1280x960, 1280x720; 60Hz: 30fps: 3840x2160, 2560x1440, 1920x1080, 1280x960, 1280x720

Sub stream	50Hz: 25fps (704 x576, 640 x480, 352 x288); 60Hz: 30fps (704 x480, 640 x480, 352 x240)
Third Stream	50Hz: 25fps (1920 x1080, 1280 x960, 1280 x720, 704 x576, 640 x480, 352 x288) 60Hz: 30fps (1920 x1080, 1280 x960, 1280 x720, 704 x480, 640 x480, 352 x240)
Video compression	H.265+/H.265/H.264+/H.264/MJPEG
H.264 Standard	H.264/AVC codec BP/MP/HP, Level 5.1
H.265 Standard	H.265/HEVC codec MP, level 5.0
Video Bit Rate	64 Kbps to 16Mbps
Audio compression	G.711 A/U
Audio Bit Rate	64K bps
Protocols	HTTP, HTTPS, IPv4/IPv6, 802.1x, QoS, FTP, SMTP, UPnP, SNMP, DNS, DDNS, NTP, RTSP, RTPC, RTP, TCP/IP, UDP,DHCP, PPPoE, RTMP
User / Host	Up to 16 users, 3 levels: Administrator, Advanced User and Normal User
Security Measures	User authentication (ID and PW), Host authentication (MAC address); HTTPS encryption, IEEE802.1x port-based network access control; IP address filtering
API	ONVIF Profile G/S/T
Client	Paramont NVR, Paramont CMS 2.0, Paramont CMS Mobile App
Web Browser	IE8-11 with plug-in; Edge, Chrome, Firefox with plugin free
Smart Features	
Basic event	Motion detection, Video tampering alarm, Exception Network disconnected, IP address conflict, SD full, SD error)
Face recognize	Face detection, capturing (Default off, open per request) face comparison. Max 15 faces at the same times
Smart Detection	Tripwire, Bi-directional tripwire, Illegal intrusion detection, Region entrance detection, Region exiting detection, etc.
Smart Tracking	Support smart tracking of human or vehicle, auto/manual
System Integration	
Alarm Interface	1 Alarm input(Dry contact); 1 Alarm output
Audio Interface	1 audio input, line level, 2.0-2.4Vpp, impedance 1KΩ; 1 audio output, line level, impedance.600Ω
Alarm Linkage	Alarm actions, such as Preset, Cruise, Trace, Memory Card Video Record, Trigger Recording, Notify Surveillance Center, Upload to FTP/Memory Card, Send Email, etc.
Network Interface	1 RJ45 10M/100M Adaptive Ethernet; Support PoE++
SD Card Slot	One MicroSD slot and chamber, up to 256G
Built-in Speaker& Mic	N/A
RS485	N/A
BNC	N/A
Reset button	Yes
Electric Heater & Fan	Yes
Water removal	Remove water-drops by quick spinning
Demist	Active electric heating and air loop
General	
Languages	Czech; English, German, Hungarian, Italian, Japanese, Korean, Portuguese, Polish, Russian, Romanian, Spanish, Spanish (Mexico) , Simplified Chinese, Turkish, Traditional Chinese, etc.
Power consumption	avg. 14W, max 29W, including IR 10W
Power adaptor	DC24V±25%1500mA adaptor AC24V
Power over ethernet	PoE++ (802.3bt) (60Watt) midspan, network switch, router or high power NVR
Working condition	-40°F ~ 149°F (-40°C ~ 65°C), IR off: -40°C ~ 45°C;IR on; Cold start at - 30°C; 90%RH
Storage condition	-40°F ~ 158°F (-40°C ~ 70°C) ; ≤ 95% RH
Protection	6000V Lightning Protection, Surge Protection and Voltage Transient Protection
Material	Aluminum Alloy (ADC12); Polymer (PC+GF15%)
Dimensions	Φ7.8 inch x11.9 inch (Φ 197mm x 302mm)
Weight	Approx. 6.22 lb (2.82 Kg)
Certification	IP67, IK10(including glass window), ROHS, CE, FC, KC, BIS,UKCA



DORI Distance	Focus length	Detect	Observe	Recognize	Identify
	f=4.8mm	326.8 ft (143.4m)	129.7 ft (56.9m)	65.4 ft (28.7m)	32.7 ft (14.3m)
	f=154mm	8126.6 ft (4093.8m)	3250.7 ft (1624.5m)	1625.3 ft (818.8m)	812.7 ft (409.4m)

Ordering Information

PAR-P8PTZXIR32NH-AI: 8 Megapixel IP Plug & Play, Outdoor PTZ



PAR-C5DRIRA2812

5 Megapixel TVI/AHD/CVI/CVBS Rugged Outdoor Dome
2.8-12mm Motorized A/F, up to 98' IR Range, 12VDC

Features

- 5 Megapixel Resolution (2560 x 1936)
- All-in-One Technology (TVI/AHD/CVI/Analog 960h)
- Motorized Auto-Focus 2.8-12mm Lens
- True Day/Night
- D-WDR
- Up to 98' Smart IR Range
- IP67 Weatherproof
- IK10 Vandal Resistant
- 12VDC Operation
- Through InVid Tech DVR: Free App, CMS & MAC Client

Camera	PAR-C5DRIRA2812
Image Sensor	1 / 2.7 "CMOS
Resolution	5MP
Image Size	2560 x 1936
Video Output	AHD / TVI /CVI/CVBS
Image System	PAL / NTSC
Electronic Shutter	Auto
IR Distance	up to 98 ft
Frame Rate	5MP @20fps
Min. Illumination	Color : 0.01 lux@F1.2, AGC ON; B/W : 0 lux with IR
Lens	2.8-12mm Motorized Zoom Lens
Lens Mount	D14
S/N Ration	≥52dB (AGC OFF)
Ingress Protection	IP67 & IK10
Functions	
Function Control	OSD (UTC Control)
Day & Night	ICR
Digital WDR	Yes
Digital NR	Yes
AGC	Yes
Auto White Balance	Yes
BLC	Yes
LSC	Yes
Defog	Yes
HLC	Yes
Sharpness	Yes
Mirror Image	Yes
Smart IR	Yes
Image Setting	Yes
Defect Correction	Yes
Language	13 languages
Angle Adjustment	Pan: 0° ~ 345°; Tilt: 0° ~ 77°; Rotation: 0° ~ 345°
Others	
Power Supply	DC12V (± 10%)
Power Consumption	IR OFF : < 1W; IR ON : < 6W
Working Environment	-22°F ~ 122°F(-30 °C ~ 50 °C), 10 % ~ 90 % (relative humidity)
Dimensions	5.6 x 3.9 in. (141 x 100.2mm)
Weight	Approx. 1.8 lbs (0.83KG)

Ordering Information

PAR-C5DRIRA2812: 5 Megapixel Dome, 2.8-12mm



PAR-C8DRIRA2812

8 Megapixel TVI/AHD/CVI/CVBS Rugged Outdoor Dome
2.8-12mm Motorized A/F, 98' IR Range, 12VDC

Features

- 8 Megapixel Resolution (3840 x 2160)
- All-in-One Technology (TVI/AHD/CVI/Analog 960h)
- Motorized Auto-Focus 2.8-12mm Lens
- True Day/Night
- D-WDR
- 98' Smart IR Range
- Up The Cable (UTC) Function
- IP66 Weather Resistant
- IK10 Vandal Resistant
- 12VDC Operation
- Through InVid Tech DVR: Free App, CMS & MAC Client
- NDAA Compliant

Camera	PAR-C8DRIRA2812
Image Sensor	1 / 2.7 "CMOS
Resolution	8MP/5MP/4MP
Image Size	3840 x 2160
Video Output	AHD / TVI /CVI/CVBS
Image System	PAL / NTSC
Electronic Shutter	Auto
IR Distance	98 ft.
Frame Rate	8MP @15fps, 5MP @20fps, 4MP @30fps
Min. Illumination	Color : 0.01 lux@F1.2, AGC ON; B/W : 0 lux with IR
Lens	2.8-12mm Automatic Focusing and Motorized Zoom Lens
Lens FOV	2.8-12mm: 97.5°-38.5° H, 65.3°-22.2° V, 105.2°-43.7° Crossline
Lens Mount	D14
S/N Ration	≥52dB (AGC OFF)
Ingress Protection	IP66
Housing	IK10
Functions	
Function Control	OSD (UTC Control)
Day & Night	ICR
Digital WDR	Yes
Digital NR	Yes
Auto White Balance	Yes
BLC	Yes
HLC	Yes
Sharpness	Yes
Mirror Image	Yes
Smart IR	Yes
Image Setting	Yes
Defect Correction	Auto
Language	11 languages
Angle Adjustment	Pan: 0°~360°; Tilt: 0°~77°; Rotation: 0°~360°
Others	
Power Supply	DC12V (± 15%)
Power Consumption	IR OFF : < 2W; IR ON : < 5W
Working Environment	-22°F ~ 122°F(-30 °C ~ 50 °C), 10 % ~ 90 % (relative humidity)
Dimensions	6 x 4 in. (150.4 x 114.2mm)
Weight	Approx. 2 lbs (0.93KG)

Ordering Information

PAR-C8DRIRA2812: 8 Megapixel Dome, 2.8-12mm



PAR-C5BIRA2812

5 Megapixel, Motorized Autofocus 2.8-12mm Lens, TVI/AHD/CVI/Analog 960h, Up to 164' Smart IR Range, True Day/Night, D-WDR, 12VDC Operation

Features

- 5 Megapixel Resolution (2592 x 1944)
- Motorized Auto-Focus 2.8-12mm Lens
- All-in-One Technology (TVI/AHD/CVI/Analog 960h)
- 164' Smart IR Range
- True Day/Night
- D-WDR
- Up The Cable (UTC) Function
- IP67 Weatherproof
- 12VDC Operation
- NDAA Compliant

Camera	PAR-C5BIRA2812
Image Sensor	1 / 2.7 "CMOS
Resolution	5MP/4MP
Image Size	2592 x 1944
Video Output	AHD / TVI / CVI / CVBS
Image System	PAL / NTSC
Electronic Shutter	Auto; 1 / 50s ~ 1 / 100000s (PAL); 1 / 60s ~ 1 / 100000s (NTSC)
IR Distance	164 ft.
Frame Rate	5MP @20fps, 4MP @30fps
Min. Illumination	Color : 0.01 lux@F1.2, AGC ON; B/W : 0 lux with IR
Lens	2.8 -12mm Automatic Focusing And Motorized Zoom Lens
Lens FOV	2.8-12mm 91.2°-33.4° H, 75°-25.4° V, 108°-41.2° Crossline
Lens Mount	M12
S/N Ration	≥52dB (AGC OFF)
Ingress Protection	IP67
Functions	
Function Control	OSD (UTC Control)
Day & Night	ICR
Digital WDR	Yes
Digital NR	Yes
AGC	Yes
Auto White Balance	Yes
BLC	Yes
Front light compensation	Yes
HLC	Yes
Sharpness	Yes
Mirror Image	Yes
Smart IR	Yes
Image Setting	Yes
Defect Correction	Auto / Manual
Language	13 languages
Angle Adjustment	Pan: 0°~350°; Tilt: 0°~90°; Rotation: 0°~360°
Others	
Power Supply	DC12V (± 10%)
Power Consumption	IR OFF : < 1W; IR ON : < 4W
Working Environment	-30°F ~ 122°F(-30 °C ~ 50 °C), 10 % ~ 90 % (relative humidity)
Dimensions (mm)	219.4 x 86.7
Weight (net)	Approx. 0.58KG

Ordering Information

PAR-C5BIRA2812: 5 Megapixel Bullet, 2.8-12mm



PAR-C8BIRA2812

8 Megapixel, Motorized Auto-focus 2.8-12mm Lens, TVI/CVI/AHD/Analog 960h, True Day/Night, D-WDR, IR Range Up to 164', 12VDC Operation

Features

- 8 Megapixel Resolution (3840 x 2160)
- Motorized Auto-Focus 2.8-12mm Lens
- All-in-One Technology (TVI/AHD/CVI/Analog 960h)
- True Day/Night
- D-WDR
- IR Range Up to 164'
- Up The Cable (UTC) Function
- IP66 Weather Resistant
- 12VDC Operation
- NDAA Compliant

Camera	PAR-C8BIRA2812
Image Sensor	1 / 2.7 "CMOS
Resolution	8MP/5MP/4MP
Image Size	3840 x 2160
Video Output	AHD / TVI /CVI/CVBS
Image System	PAL / NTSC
Electronic Shutter	Auto
IR Distance	164 ft.
Frame Rate	8MP @15fps, 5MP @20fps, 4MP @30fps
Min. Illumination	Color : 0.01 lux@F1.2, AGC ON; B/W : 0 lux with IR
Lens	2.8-12 mm
Lens FOV	2.8-12mm: 97.5°-38.5° H, 65.3°-22.2° V, 105.2°-43.7° Crossline
Lens Mount	M12
S/N Ration	≥52dB (AGC OFF)
Ingress Protection	IP66
Functions	
Function Control	OSD (UTC Control)
Day & Night	ICR
Digital WDR	Yes
Digital NR	Yes
Auto White Balance	Yes
BLC	Yes
HLC	Yes
Sharpness	Yes
Mirror Image	Yes
Smart IR	Yes
Image Setting	Yes
Defect Correction	Auto
Language	11 languages
Angle Adjustment	Pan: 0°~360°; Tilt: 0°~90°; Rotation: 0°~360°
Others	
Power Supply	DC12V (± 15%)
Power Consumption	IR OFF : < 2W; IR ON : < 5W
Working Environment	-30°F ~ 122°F (-30 °C ~ 50 °C), 10 % ~ 90 % (relative humidity)
Dimensions	3.4 x 8.6 in (86.7 x 219.4mm)
Weight (net)	Approx. 1.3 lbs (0.58KG)

Ordering Information

PAR-C8BIRA2812: 8 Megapixel Bullet, 2.8-12mm

PS1A-ENTERPRISE

All-in-One Management Server

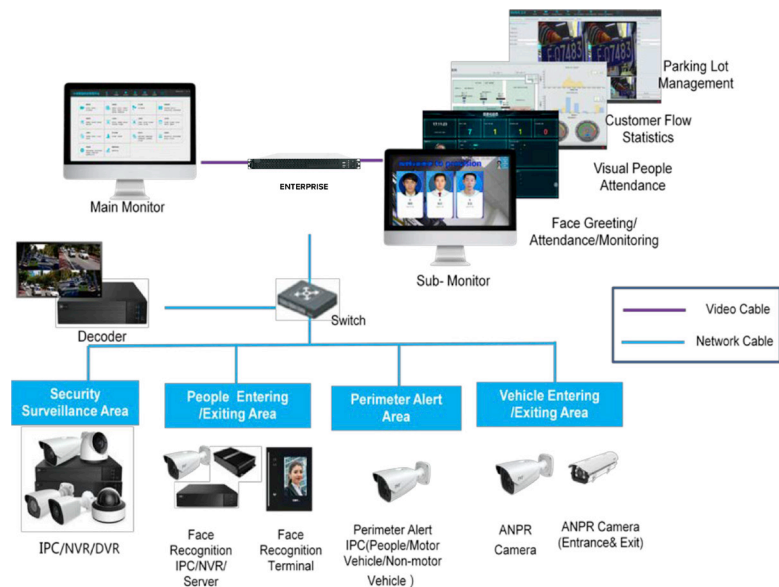


Features

- High-performance X86 hardware platform, stable and reliable
- Preset software before delivery; All-in-One simple deployment
- Support the device access of many manufacturers in the industry
- Support ONVIF protocol
- Support device auto-report
- Support adding devices through IP address, IP address segment, domain name and serial number
- Automatically search devices and quickly adding devices
- Support standard, widescreen and customized screen display modes
- Support instant playback and alarm preview
- Supports corridor mode
- Supports fisheye mode
- Support PTZ direction control and focus control; support setting and calling preset and cruise
- Support voice monitoring, two-way talk and broadcast
- Support record search, playback and downloading from device and control center
- Support record search and playback by time, channel, event and tag
- Support time-slice playback
- Support record clip and backup; Support backup by time and event
- Support video search, playback and downloading from SD card of the IPC
- Support multi-level images and online E-map
- Support TV wall management, including splicing, PIP, roaming and triggering video on TV wall
- Support auto-switch plan and camera group on TV wall
- Support various alarm types and alarm linkages
- Support multi-level, multi-area and multi-user permission management
- Support log management, including notices and alarms device's online and offline status
- Support overload protection of the client
- SDK/OCX available for client's secondary development
- Support GB/T 28181-2011, DB31/T 889-2015 and Db33/T 629-2011 protocols
- Support alarm host, access control system/ attendance system, dynamic environment surveillance system as well as one-button alarm system access
- Support Android/iOS mobile APP

CPU	Intel Xeon Processor E3-1225V5 4C/4T 3.3GHz 8M HD Graphics P530/80W
OS	Linux
Memory	8GB DDR4 ECC, up to 64GB
Network Card	Dual gigabit ports I350-T2 + Intel I210-AT dual gigabit Ethernet server cards
HDD	1 built-in Kingston SSD/120G/SATA/6Gb/s/2.5inch/SUV400S37 3.5/2.5inch HDD slots × 3
PCI Expansion	1*PCI-E3.0*8, 1*PCI-E3.0*8 (X4), 1*PCI-E3.0*16(X8)
Management	BMC Module; Support IPMI2.0, 110/100 Mbps RJ45 management port, KVM, Support remote management
Interfaces	HDMI ×1, VGA ×1, USB ×6 (front panel: USB2.0x2) real panel USB2.0x2; USB3.0x2), network interface ×4; COM ×1 (remote management port ×1; audio input ×2; audio output ×2
Max. number of camera access	30000 CH
Max. number of NVR access	1024 NVRs
Max. decoding capability	256 CH
Max. number of transfer server access	32 transfer servers
Max. number of storage server access	128 storage servers
Device Group	Support
Max. number of users	1024 users
Simultaneous Online users	256 users
User Permission	Self-define
Real-time view	Up to 100 CH real-time preview; support auto switch
PTZ	Support PTZ control, PTZ permission, PTZ lock, PTZ preset management
Storage type	IP SAN/streaming media storage

Record type	Schedule, manual and alarm records
Record search	Multi-channel synchronous search and playback
Access bandwidth	600Mbps
Output bandwidth	600Mbps (live view + transfer)
Power	100~240V-6~3A / 50~60Hz
Power consumption	≤300W (with HDD)
Working Environment	working 10°C to 35°C; standby -40°C~+70°C (ambient)
Relative Humidity	Standby: 95% (non-condensing) under 25°C~30°C
Noise	Working: <50dBA; 6.2BA (<28°C)
Gross weight	Approx. 12KG
Dimension(mm)	430 x 487 x 44 (Wx Dx H)
Installation	Standard 19 inch rack mount



Ordering Information

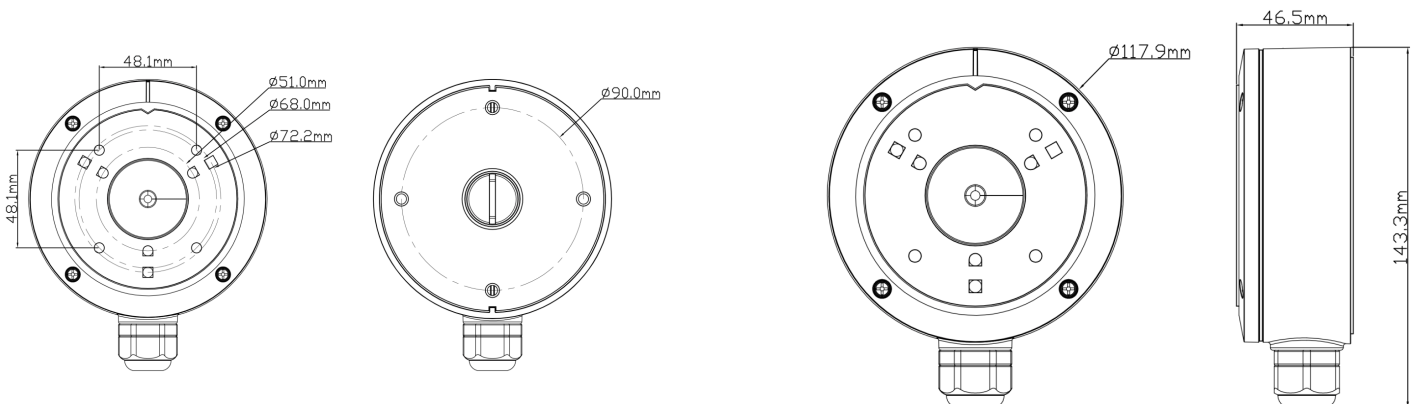
PS1A-ENTERPRISE: All-in-One Management Server



IPM-JB6

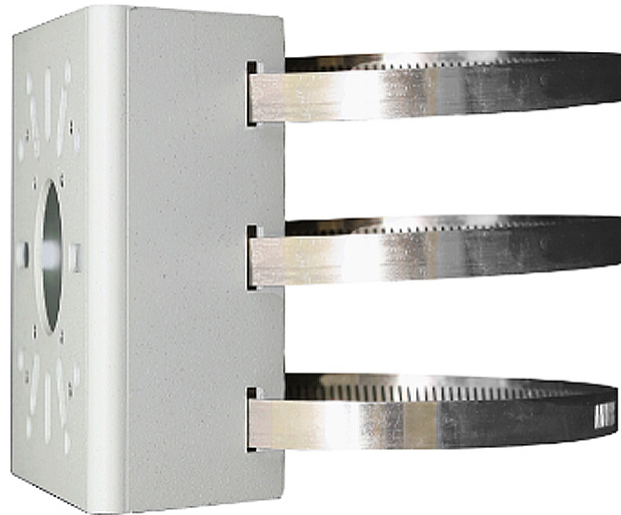
Junction Box for Paramount Series Cameras

Model	IPM-JB6
Material	Aluminum alloy
Color	White
Protection Grade	IP66
Packing Size	12.8 x 12.4 x 10.4 in (325x315x265mm)
Dimension	4.6 x 1.9 in (117.9 x 47mm)
Load Bearing	The wall must be strong enough to withstand at least 3 times the weight of the camera and the junction box
Net Weight	.8 lb (380g)
Working Temperature	-40°F ~ 140°F (-40°C ~ 60°C)
Working Humidity	10%~90%



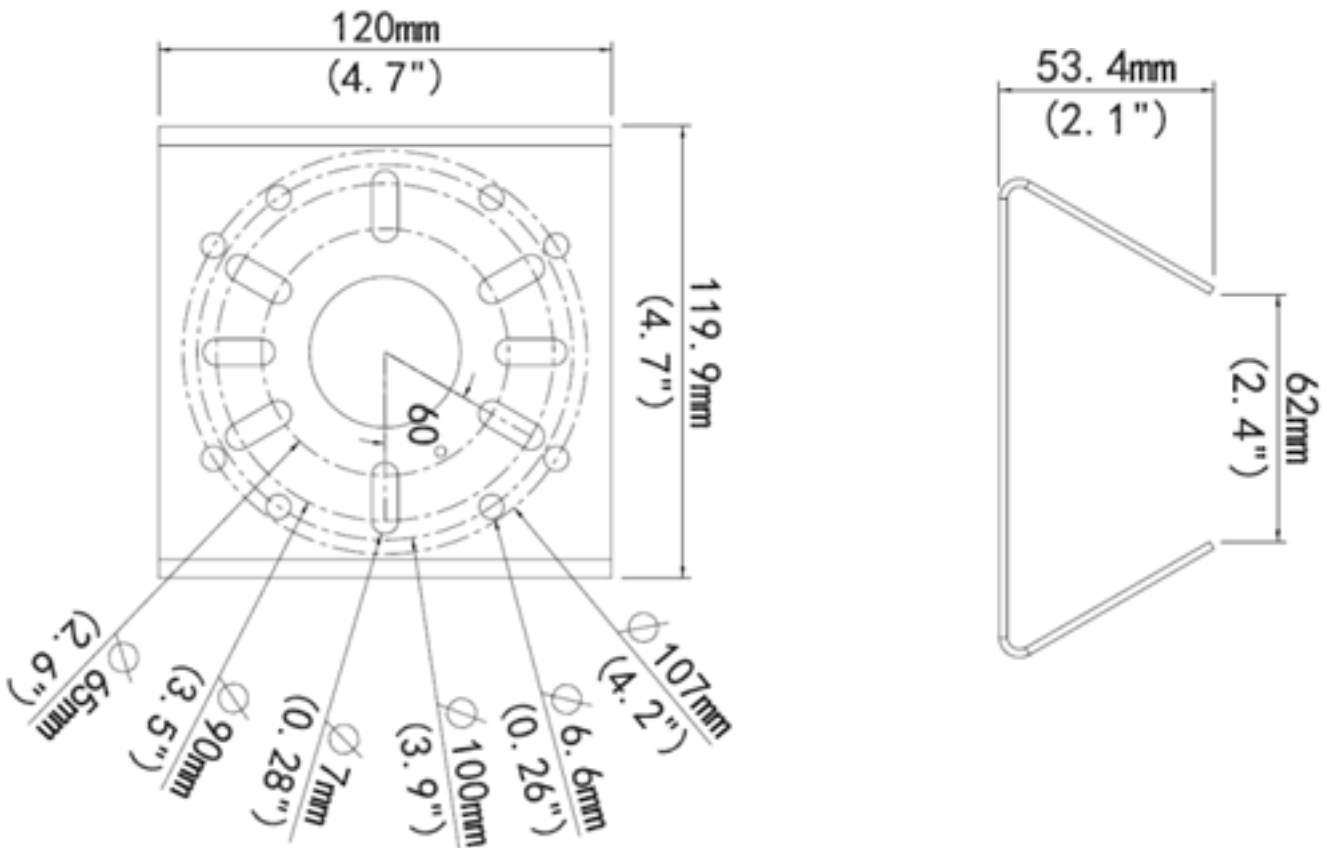
Ordering Information

IPM-JB6: Junction Box, White

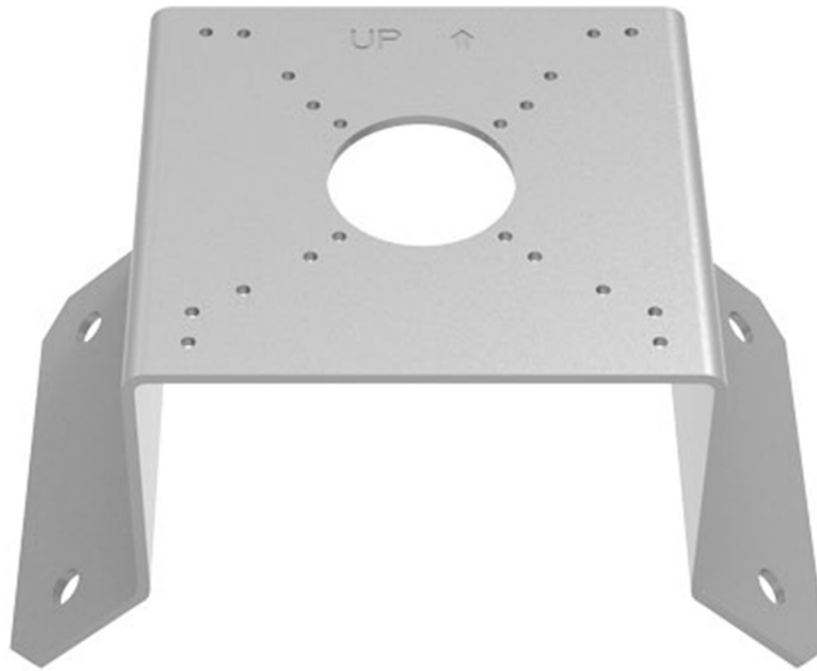


IVM-POLE1
Pole Mount

Bracket	IVM-POLE1
Application	Outdoor, pole or rail installation; 2.6" ~ 5" diameter poles
Dimensions(L × W × H)	4.7"x4.7"x2.1" (120mmx120mmx53.4mm)
Weight	0.99lb (0.45kg)
Material	Galvanized sheet metal



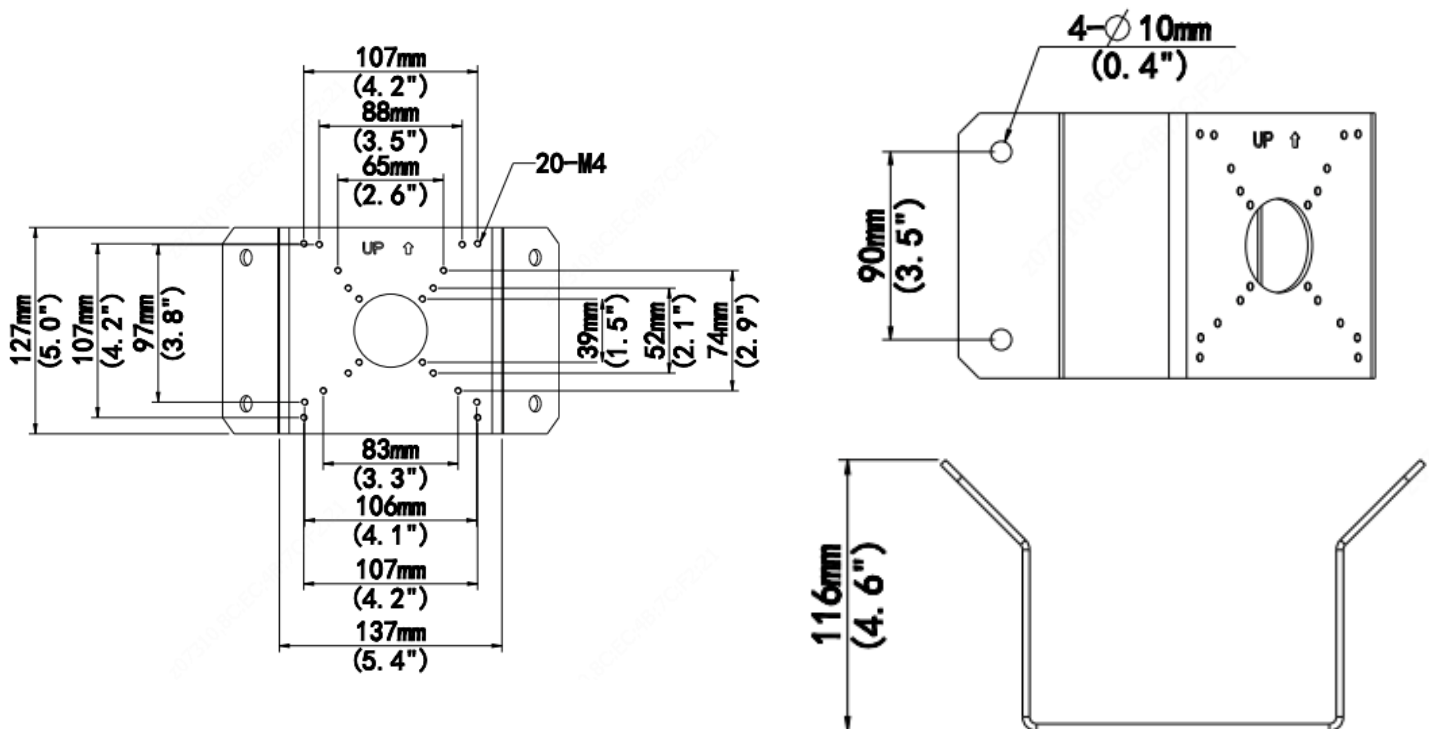
Ordering Information
IVM-POLE1: Pole Mount



IVM-CORNER2

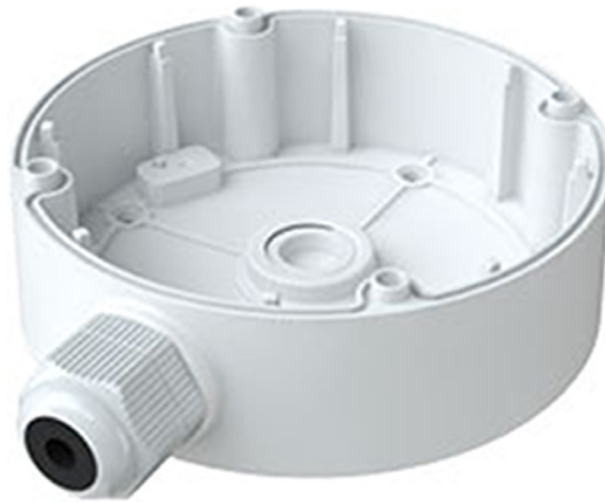
Corner Mount for Vision Series

Bracket	IVM-CORNER2
Application	Corner installation
Dimensions	5.4" x 5.0" x 4.6" (137mmx127mmx116mm)
Weight	0.93lb (0.42kg)
Material	Aluminum alloy



Ordering Information

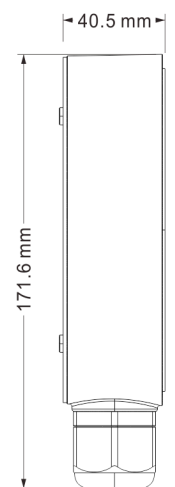
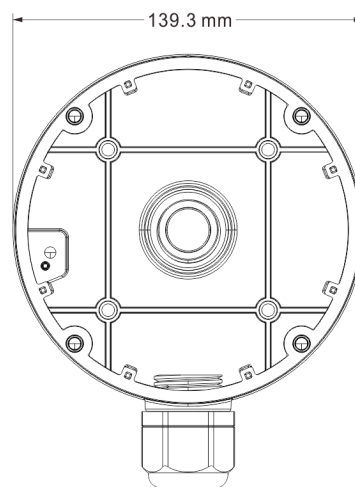
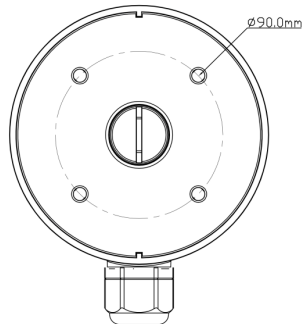
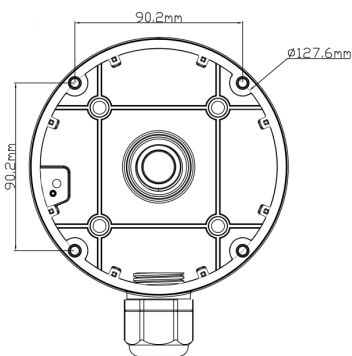
IVM-CORNER2: Corner Mount



IPM-JB8

Junction Box for Paramount Series Cameras, White

Model	IPM-JB8
Material	Aluminum alloy
Color	White
Protection Grade	IP66
Packing Size	14.8 x 13 x 12.2 in (375x330x310mm)
Dimension	5.5 x 1.6 in (139.3x41mm)
Load Bearing	The wall must be strong enough to withstand at least 3 times the weight of the camera and the junction box
Net Weight	.8 lb (360g)
Working Temperature	-40°F ~ 140°F (-40°C ~ 60°C)
Working Humidity	10%~90%



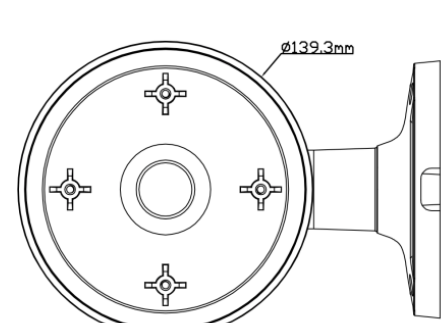
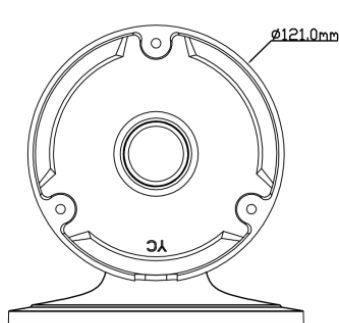
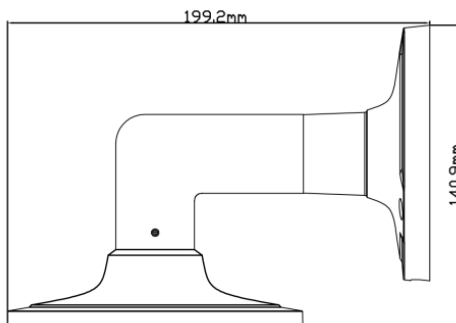
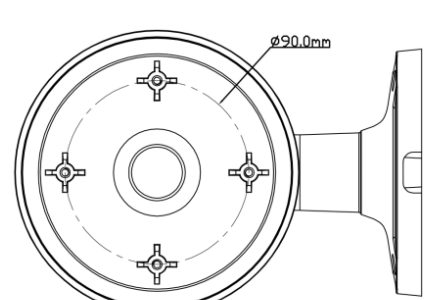
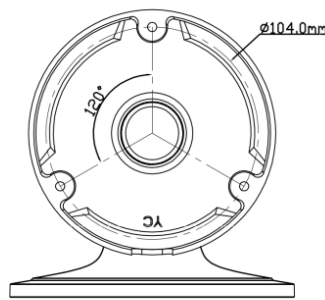
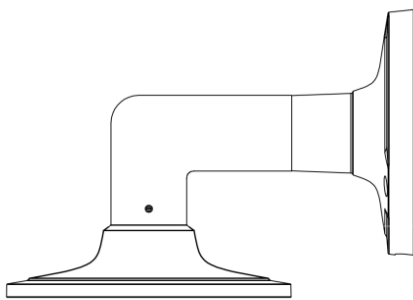
Ordering Information
IPM-JB8: Junction Box



IPM-WALLMOUNT2

Wall Mount for Paramont Series Cameras, White

Bracket	IPM-WALLMOUNT2
Material	Aluminum alloy
Color	White
Dimension	7.8 x 5.5 x 5.5 in (199x139.3x140.9mm)
Net Weight	1.2lb (560g)
Load Bearing	The wall must be strong enough to withstand at least 3 times the weight of the camera and the bracket.
Working Temperature	-40°F ~ 140°F (-40°C ~ 60°C)
Working Humidity	10% ~ 90%



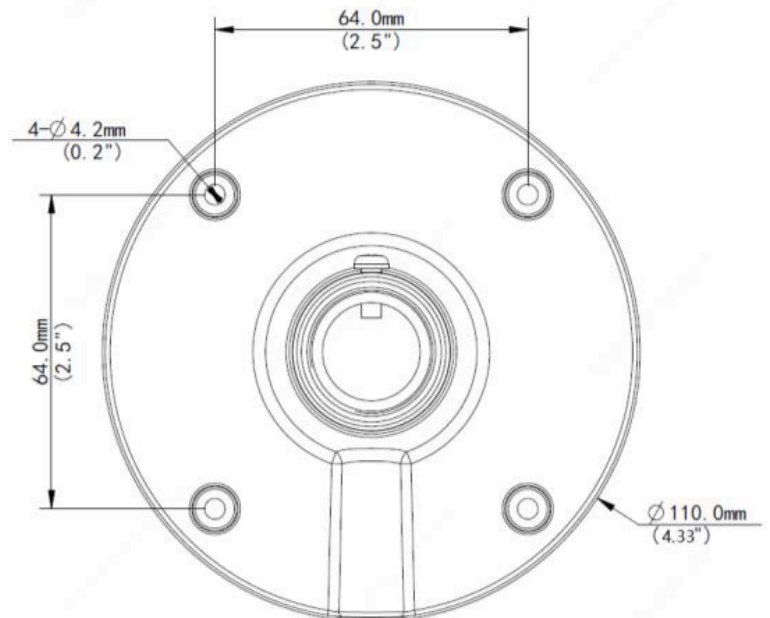
Ordering Information

IPM-WALLMOUNT2: Wall Mount



IVM-PM2
Pendant Mount

Bracket	IVM-PM2
Application	Wall installation
Dimensions (L × W × H)	Ø110 × 223.5mm (Ø4.33" × 8.80")
Weight	0.25kg (0.55lb)
Material	Aluminum alloy



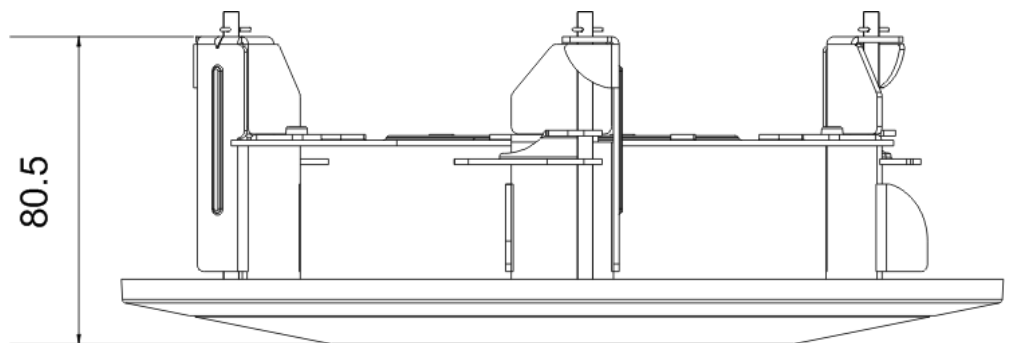
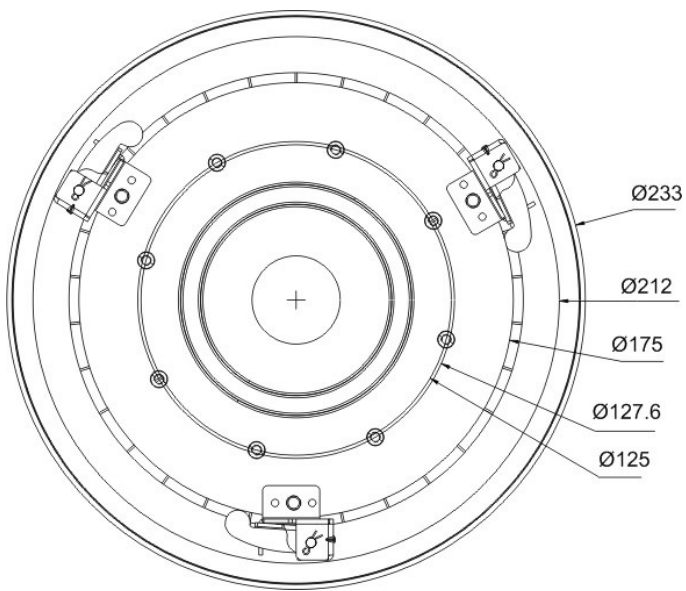
Ordering Information

IVM-PM2: Indoor Pendant Mount



IPM-ICMVARDOME2
Recessed Mount

Model	IPM-ICMVARDOME2
Material	SECC & Plastics
Color	White
Dimension	9.2 x 9.2 x 3.2 in (233 x 233 x 80.5mm)
Net Weight	1.6 lbs (704 g)
Load Bearing	The wall must be strong enough to withstand at least 3 times the weight of the camera and the bracket.
Working Temperature	-40°F ~ 140°F (-40°C ~ +60°C)
Working Humidity	10% ~ 90%

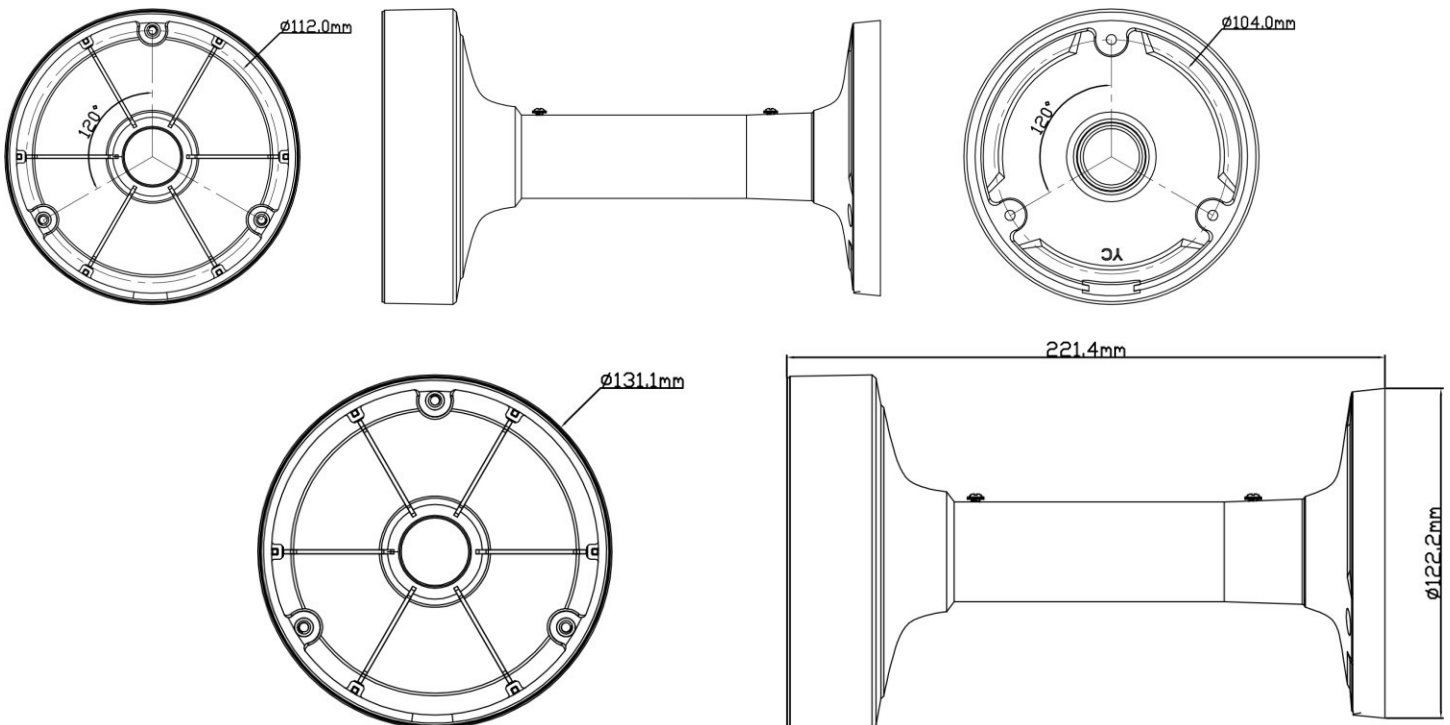


Ordering Information
IPM-ICMVARDOME2: Recessed Mount



IPM-PANPEN
Fisheye Pendant Pipe

Model	IPM-PANPEN
Material	Aluminum alloy
Color	White
Dimension	8.7 x 5.2 in (221x131mm)
Net Weight	1.2 lbs (550 g)
Load Bearing	The wall must be strong enough to withstand at least 3 times the weight of the camera and the bracket.
Working Temperature	-40°F ~ 140°F (-40°C ~ +60°C)
Working Humidity	10% ~ 90%

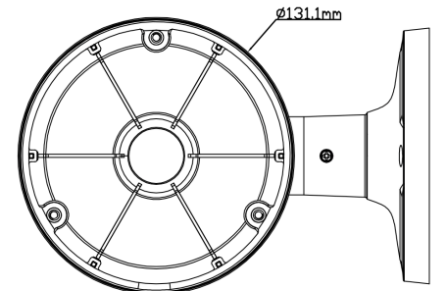
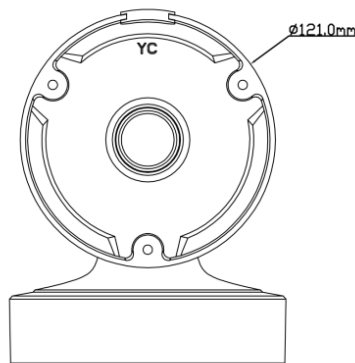
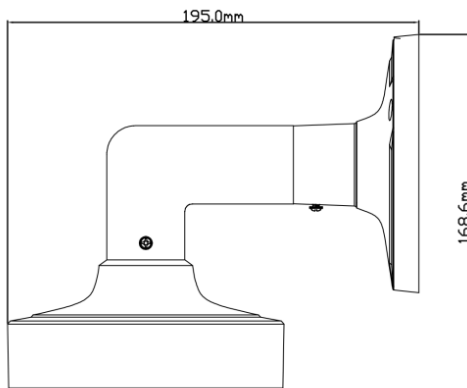
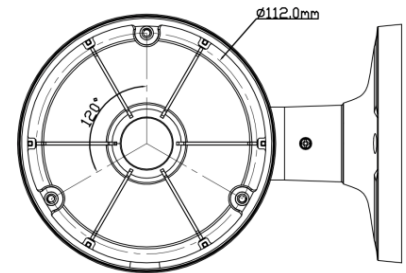
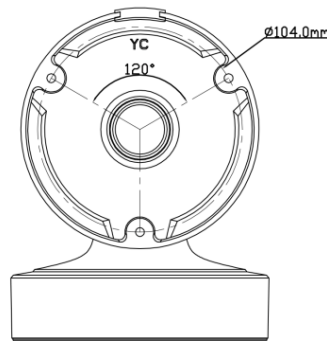
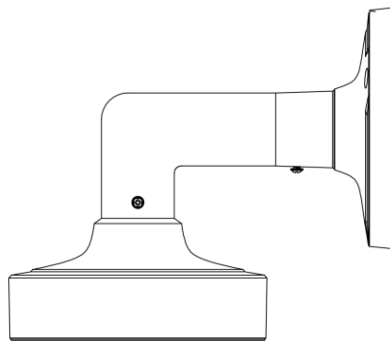


Ordering Information
IPM-PANPEN: Pendant Pipe

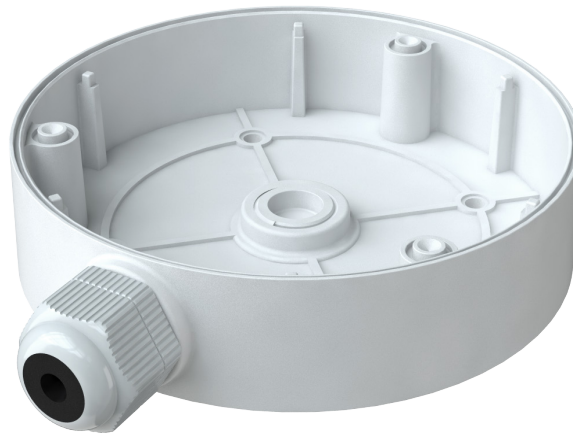


IPM-PANWALL
Wall Mount

Model	IPM-PANWALL
Material	Aluminum alloy
Color	White
Packing Size	19.7 x 13.2 x 10.1 in (500 x 335 x 257mm)
Dimension	7.7 x 6.6 x 5.2 in (195 x 168.6 x 131mm)
Net Weight	1.3 lb (570g)
Load Bearing	The wall must be strong enough to withstand at least 3 times the weight of the camera and the bracket.
Working Temperature	-40°F ~ 140°F (-40°C ~ 60°C)
Working Humidity	10% ~ 90%

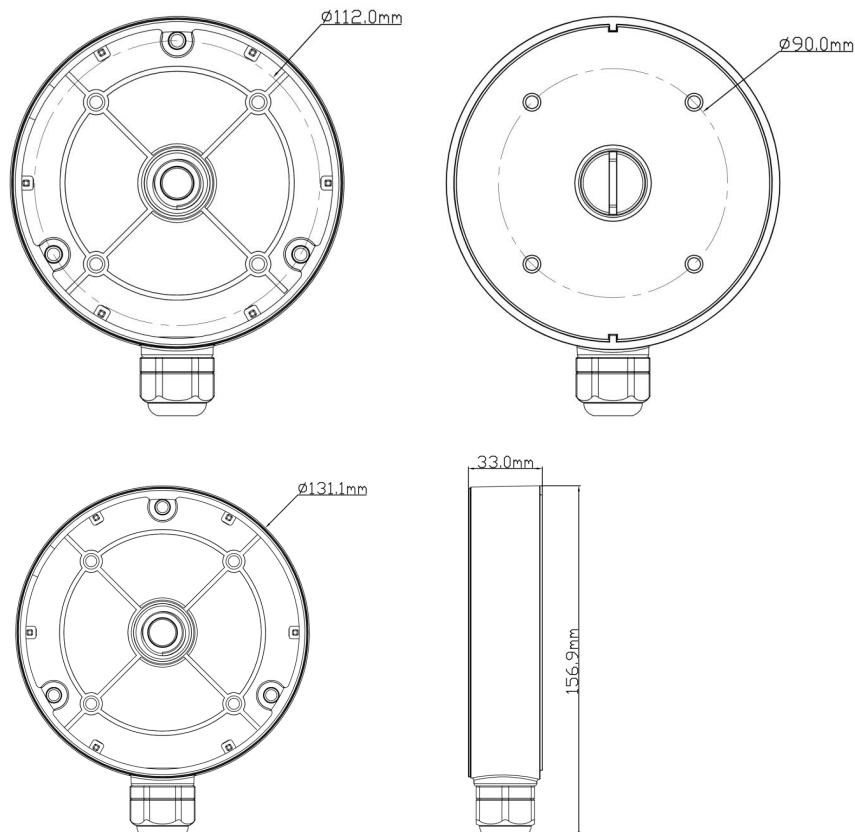


Ordering Information
IPM-PANWALL: Wall Mount

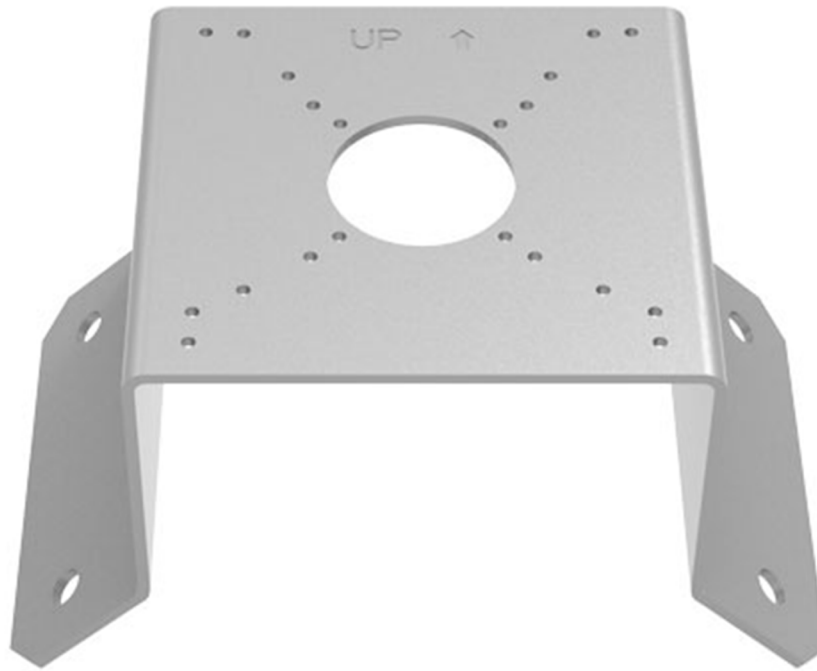


IPM-PANJB
Wall Mount

Model	IPM-PANJB
Material	Aluminum alloy
Color	White
Protection Grade	IP66
Packing Size	16.7 x 9.1 x 12.6 in (423x230x320mm)
Dimension	5.2 x 1.3 in (131x33mm)
Load Bearing	The wall must be strong enough to withstand at least 3 times the weight of the camera and the junction box
Net Weight	.5 lb (236g)
Working Temperature	-40°F ~ 140°F (-40°C ~ 60°C)
Working Humidity	10%~90%



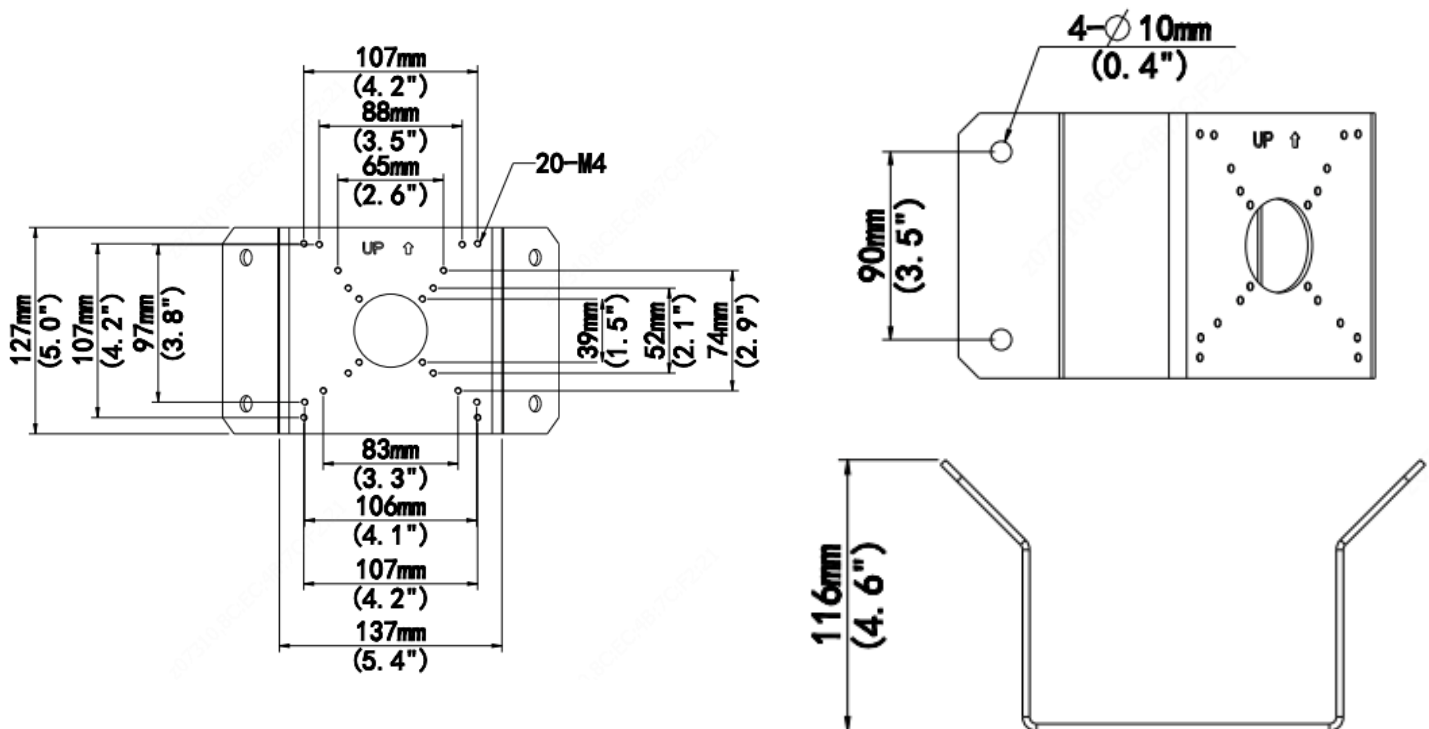
Ordering Information
IPM-PANJB: Wall Mount



IVM-CORNER2

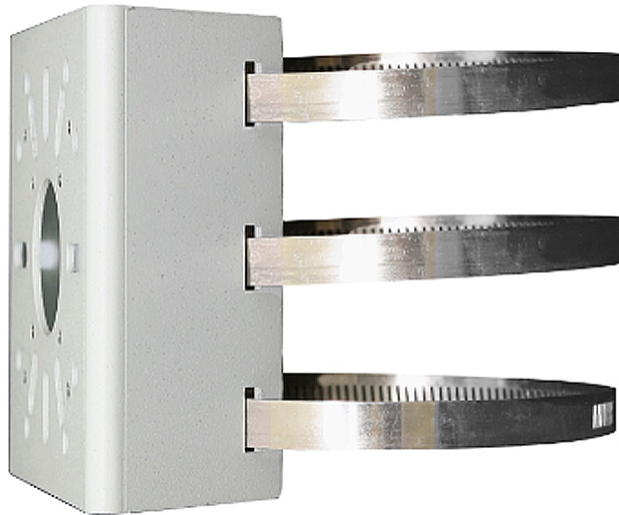
Corner Mount for Vision Series

Bracket	IVM-CORNER2
Application	Corner installation
Dimensions	5.4" x 5.0" x 4.6" (137mmx127mmx116mm)
Weight	0.93lb (0.42kg)
Material	Aluminum alloy



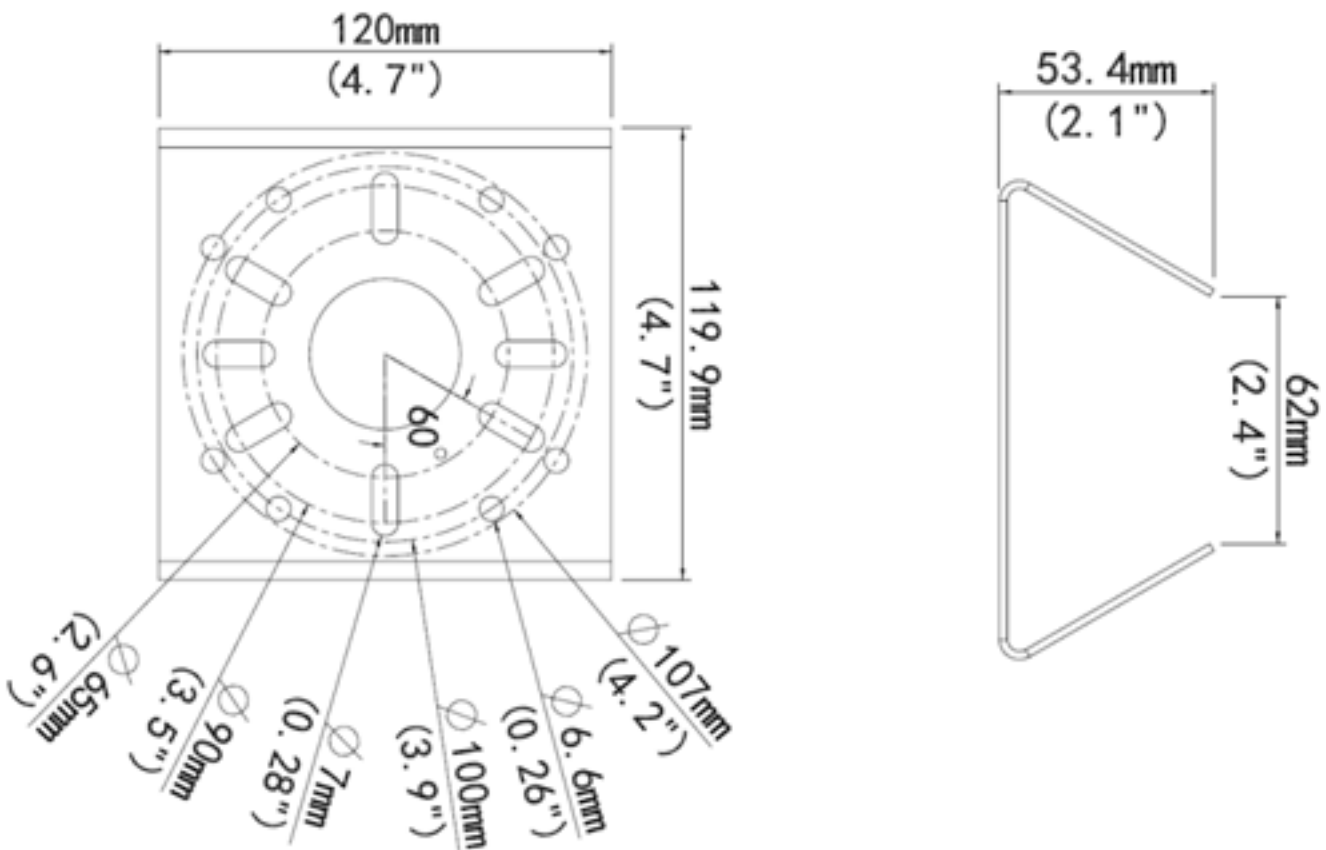
Ordering Information

IVM-CORNER2: Corner Mount



IVM-POLE1
Pole Mount

Bracket	IVM-POLE1
Application	Outdoor, pole or rail installation; 2.6" ~ 5" diameter poles
Dimensions(L × W × H)	4.7"x4.7"x2.1" (120mmx120mmx53.4mm)
Weight	0.99lb (0.45kg)
Material	Galvanized sheet metal



Ordering Information
IVM-POLE1: Pole Mount



IPM-PTZWALL1

Wall Mount for Paramount PTZ Cameras

Model	IPM-PTZWALL1
Material	Aluminum alloy
Color	White
Dimension	10.1 x 5.3 x 3.9 in (256x135x100mm)
Net Weight	1.3 lbs (570g)
Load Bearing	The wall must be strong enough to withstand at least 3 times the weight of the camera and the bracket.
Working Temperature	-40°F ~ 140°F (-40°C ~ 60°C)
Working Humidity	10% ~ 90%

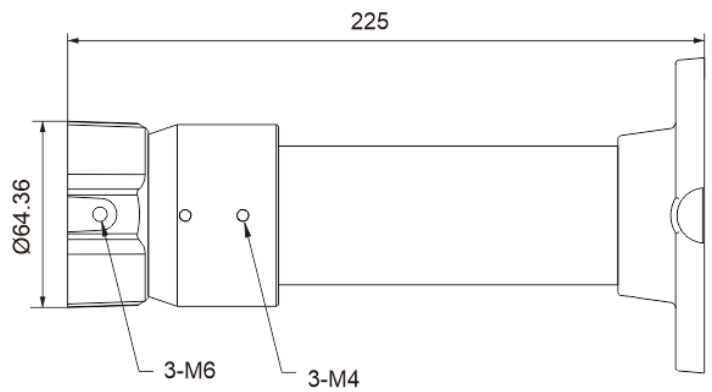
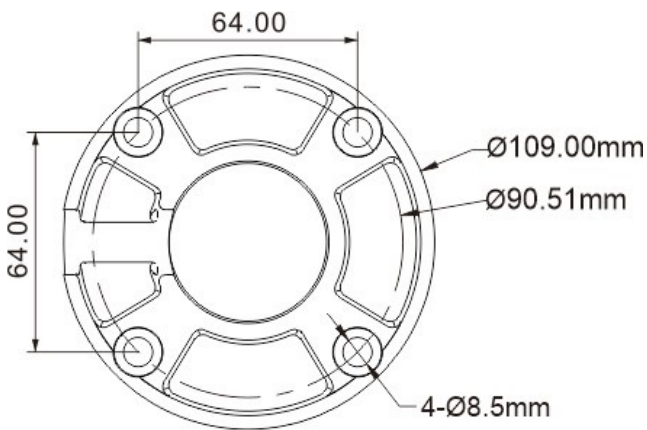
Ordering Information

IPM-PTZWALL1: Wall Mount for Paramount PTZ Cameras



IPM-PTZPEN10
Ceiling Mount for PTZ

Model	IPM-PTZPEN10
Material	Aluminum alloy
Color	White
Dimension	4.3 x 8.9 in (Ø109 x 225mm)
Net Weight	.97 lbs (440 g)
Load Bearing	The wall must be strong enough to withstand at least 3 times the weight of the camera and the bracket.
Working Temperature	-40°F ~ 140°F (-40°C ~ +60°C)
Working Humidity	10% ~ 90%



Ordering Information
IPM-PTZPEN10: Ceiling Mount for PTZ

State of West Virginia

VENDOR PREFERENCE CERTIFICATE

Certification and application is hereby made for Preference in accordance with **West Virginia Code**, §5A-3-37. (Does not apply to construction contracts). **West Virginia Code**, §5A-3-37, provides an opportunity for qualifying vendors to request (at the time of bid) preference for their residency status. Such preference is an evaluation method only and will be applied only to the cost bid in accordance with the **West Virginia Code**. This certificate for application is to be used to request such preference. The Purchasing Division will make the determination of the Vendor Preference, if applicable.

1. **Application is made for 2.5% vendor preference for the reason checked:**
 Bidder is an individual resident vendor and has resided continuously in West Virginia, or bidder is a partnership, association or corporation resident vendor and has maintained its headquarters or principal place of business continuously in West Virginia, for four (4) years immediately preceding the date of this certification; **or**,
 Bidder is a resident vendor partnership, association, or corporation with at least eighty percent of ownership interest of bidder held by another entity that meets the applicable four year residency requirement; **or**,
 Bidder is a nonresident vendor which has an affiliate or subsidiary which employs a minimum of one hundred state residents and which has maintained its headquarters or principal place of business within West Virginia continuously for the four (4) years immediately preceding the date of this certification; **or**,
2. **Application is made for 2.5% vendor preference for the reason checked:**
 Bidder is a resident vendor who certifies that, during the life of the contract, on average at least 75% of the employees working on the project being bid are residents of West Virginia who have resided in the state continuously for the two years immediately preceding submission of this bid; **or**,
3. **Application is made for 2.5% vendor preference for the reason checked:**
 Bidder is a nonresident vendor that employs a minimum of one hundred state residents, or a nonresident vendor which has an affiliate or subsidiary which maintains its headquarters or principal place of business within West Virginia and employs a minimum of one hundred state residents, and for purposes of producing or distributing the commodities or completing the project which is the subject of the bidder's bid and continuously over the entire term of the project, on average at least seventy-five percent of the bidder's employees or the bidder's affiliate's or subsidiary's employees are residents of West Virginia who have resided in the state continuously for the two immediately preceding years and the vendor's bid; **or**,
4. **Application is made for 5% vendor preference for the reason checked:**
 Bidder meets either the requirement of both subdivisions (1) and (2) or subdivision (1) and (3) as stated above; **or**,
5. **Application is made for 3.5% vendor preference who is a veteran for the reason checked:**
 Bidder is an individual resident vendor who is a veteran of the United States armed forces, the reserves or the National Guard and has resided in West Virginia continuously for the four years immediately preceding the date on which the bid is submitted; **or**,
6. **Application is made for 3.5% vendor preference who is a veteran for the reason checked:**
 Bidder is a resident vendor who is a veteran of the United States armed forces, the reserves or the National Guard, if, for purposes of producing or distributing the commodities or completing the project which is the subject of the vendor's bid and continuously over the entire term of the project, on average at least seventy-five percent of the vendor's employees are residents of West Virginia who have resided in the state continuously for the two immediately preceding years.
7. **Application is made for preference as a non-resident small, women- and minority-owned business, in accordance with West Virginia Code §5A-3-59 and West Virginia Code of State Rules.**
 Bidder has been or expects to be approved prior to contract award by the Purchasing Division as a certified small, women- and minority-owned business.
8. **Application is made for reciprocal preference.**
 Bidder is a West Virginia resident and is requesting reciprocal preference to the extent that it applies.

Bidder understands if the Secretary of Revenue determines that a Bidder receiving preference has failed to continue to meet the requirements for such preference, the Secretary may order the Director of Purchasing to: (a) rescind the contract or purchase order; or (b) assess a penalty against such Bidder in an amount not to exceed 5% of the bid amount and that such penalty will be paid to the contracting agency or deducted from any unpaid balance on the contract or purchase order.

By submission of this certificate, Bidder agrees to disclose any reasonably requested information to the Purchasing Division and authorizes the Department of Revenue to disclose to the Director of Purchasing appropriate information verifying that Bidder has paid the required business taxes, provided that such information does not contain the amounts of taxes paid nor any other information deemed by the Tax Commissioner to be confidential.

Bidder hereby certifies that this certificate is true and accurate in all respects; and that if a contract is issued to Bidder and if anything contained within this certificate changes during the term of the contract, Bidder will notify the Purchasing Division in writing immediately.

Bidder: State Electric Supply

Signed: 

Date: 6/5/24

Title: Inside Sales

*Check any combination of preference consideration(s) indicated above, which you are entitled to receive.

DESIGNATED CONTACT: Vendor appoints the individual identified in this Section as the Contract Administrator and the initial point of contact for matters relating to this Contract.

Brandon Twyman Datacom Sales Manager

(Name, Title)

Brandon Twyman Datacom Sales Manager

(Printed Name and Title)

405 12th St Dunbar, WV 25064

(Address)

304-768-3600 / 304-768-3698

(Phone Number) / (Fax Number)

brandon.twyman@stateelectric.com

(E-mail address)

CERTIFICATION AND SIGNATURE: By signing below, or submitting documentation through wvOASIS, I certify that I have reviewed this Solicitation in its entirety; that I understand the requirements, terms and conditions, and other information contained herein; that this bid, offer or proposal constitutes an offer to the State that cannot be unilaterally withdrawn; that the product or service proposed meets the mandatory requirements contained in the Solicitation for that product or service, unless otherwise stated herein; that the Vendor accepts the terms and conditions contained in the Solicitation, unless otherwise stated herein; that I am submitting this bid, offer or proposal for review and consideration; that I am authorized by the vendor to execute and submit this bid, offer, or proposal, or any documents related thereto on vendor's behalf; that I am authorized to bind the vendor in a contractual relationship; and that to the best of my knowledge, the vendor has properly registered with any State agency that may require registration.

By signing below, I further certify that I understand that this Contract is subject to the provisions of West Virginia code and rules and applicable adopted procedures; therefore, purchases and contracts violating West Virginia Code and rules are void and of no effect.

State Electric Supply Co.

(Company)



(Authorized Signature)

Josh Phillips Inside Sales
Representative Name, Title)

Josh Phillips Inside Sales

(Printed Name & Title of Authorized Representative)

6/5/24

(Date)

304-768-3600 / 304-768-3698

(Phone Number) (Fax Number)

ADDENDUM ACKNOWLEDGEMENT FORM

SOLICITATION NO.:

Instructions: Please acknowledge receipt of all addenda issued with this solicitation by completing this addendum acknowledgment form. Check the box next to each addendum received and sign below. Failure to acknowledge addenda may result in bid disqualification. Acknowledgment: I hereby acknowledge receipt of the following addenda and have made the necessary revisions to my proposal, plans and/or specification, etc.


Addendum Numbers Received:
(Check the box next to each addendum received)

- | | |
|--|--|
| <input checked="" type="checkbox"/> Addendum No. 1 | <input type="checkbox"/> Addendum No. 6 |
| <input checked="" type="checkbox"/> Addendum No. 2 | <input type="checkbox"/> Addendum No. 7 |
| <input checked="" type="checkbox"/> Addendum No. 3 | <input type="checkbox"/> Addendum No. 8 |
| <input checked="" type="checkbox"/> Addendum No. 4 | <input type="checkbox"/> Addendum No. 9 |
| <input type="checkbox"/> Addendum No. 5 | <input type="checkbox"/> Addendum No. 10 |

I understand that failure to confirm the receipt of addenda may be cause for rejection of this bid. I further understand that any verbal representation made or assumed to be made during any oral discussion held between Vendor's representatives and any state personnel is not binding. Only the information issued in writing and added to the specifications by an official addendum is binding.

_____ *State Electric Supply* _____

Company

_____  _____
Authorized Signature

_____ *6/5/24* _____
Date

NOTE: This addendum acknowledgement should be submitted with the bid to expedite document processing.